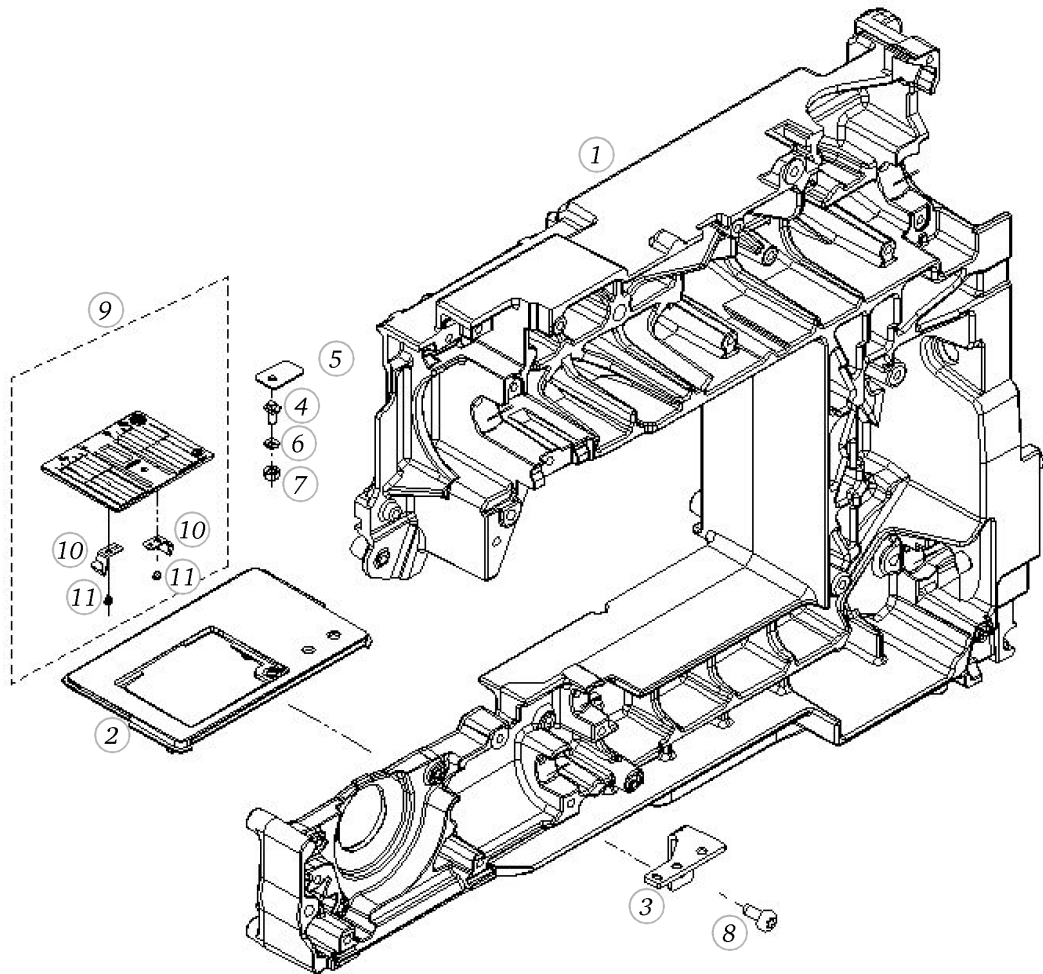




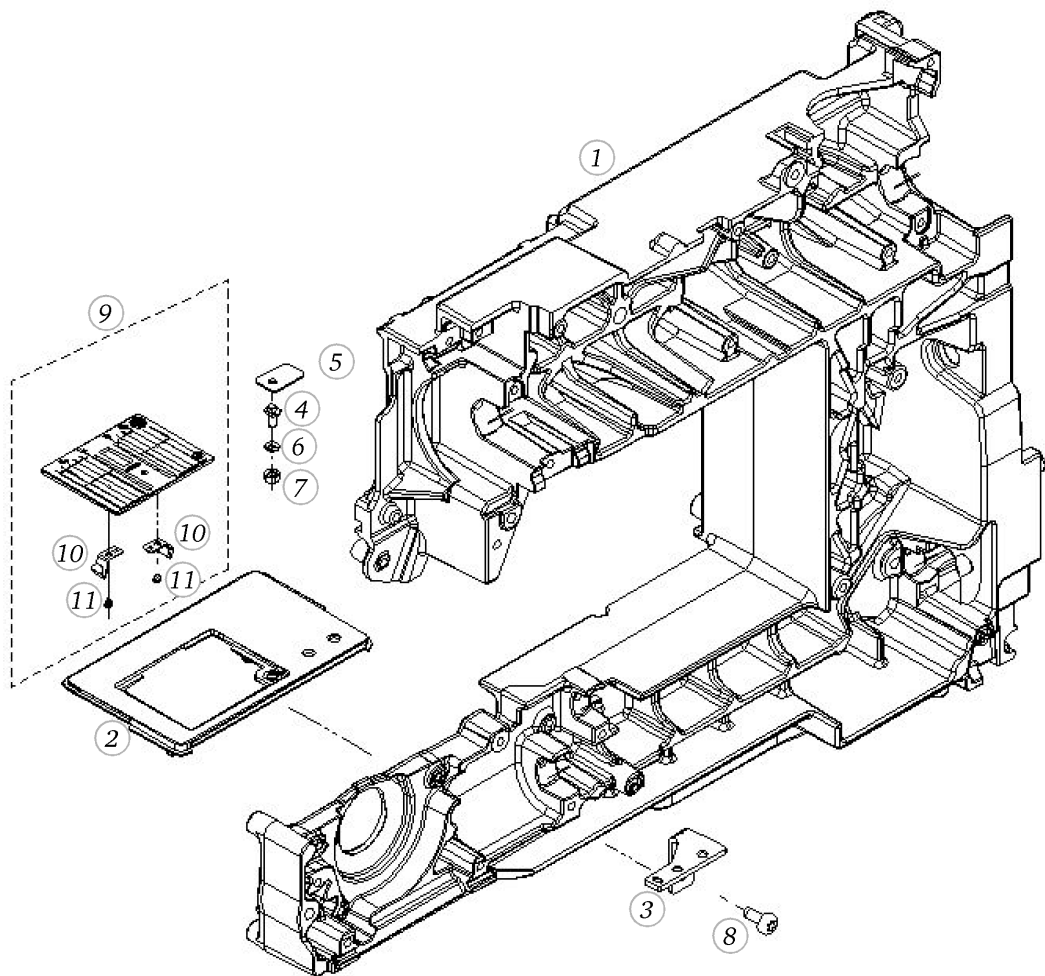
## Spare Parts

**BERNINA** artista 630 /  
635



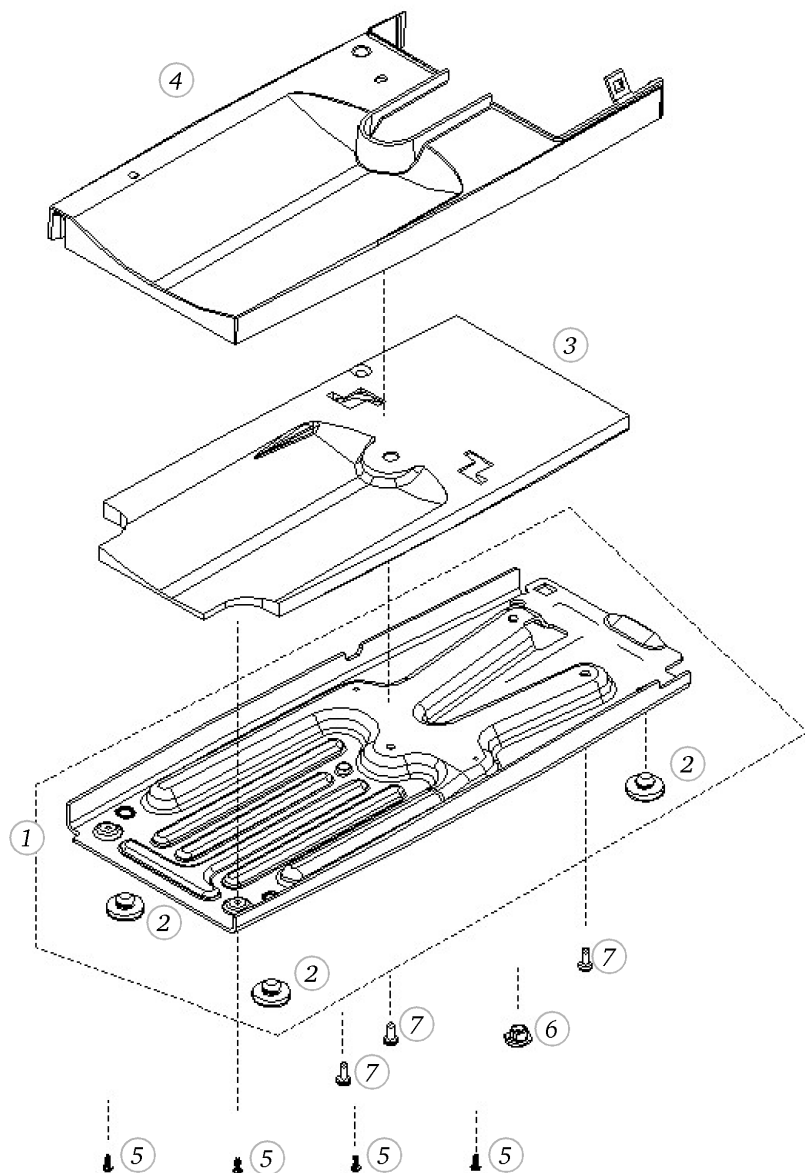
Pos	Item number	Description
1	0309645100	CHASSIS MACHINED
2	0300975101	STITCH PLATE FRAME
3	0310295100	METAL SUPPORT
4	0026045200	SPECIAL BOLT
5	0010475101	PRESSURE PLATE
6	23225753++	Curved Spring Washers M3 DIN 137 A - BN795 Art-No. 1280317
7	22502313++	HEXAGONAL NUT
8	0078865043	Socket Pan Head Thread Forming Screws M4x10 DIN7500 - BN13916 Art-No. 2027593
9	0310507001	STITCHPLATE/STANDARD C
10	0078755200	Clip
10	0078755300	Clip
11	20500223++	Slotted Machine Screw M2x1.8 nickel-plated

**Chassis (Millimeter)**



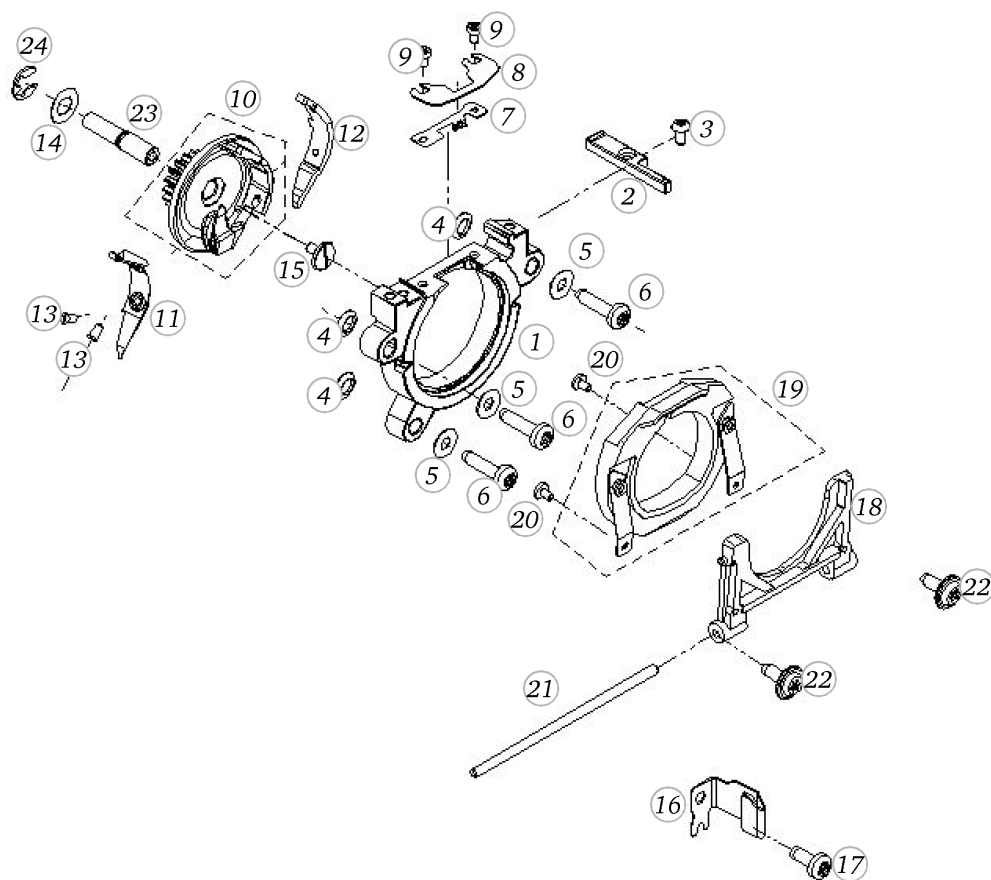
Pos	Item number	Description
1	0309645100	CHASSIS MACHINED
2	0300975101	STITCH PLATE FRAME
3	0310295100	METAL SUPPORT
4	0026045200	SPECIAL BOLT
5	0010475101	PRESSURE PLATE
6	23225753++	Curved Spring Washers M3 DIN 137 A - BN795 Art-No. 1280317
7	22502313++	HEXAGONAL NUT
8	0078865043	Socket Pan Head Thread Forming Screws M4x10 DIN7500 - BN13916 Art-No. 2027593
9	0335467101	STITCHPLATE/STANDRAD C
10	0078755200	Clip
10	0078755300	Clip
11	20500223++	Slotted Machine Screw M2x1.8 nickel-plated

**Base plate**



Pos	Item number	Description
1	0310057000	BASEPLATE ASSEM
2	0003445000	RUBBER FOOT
3	0316125200	INSULATION MAT
4	0309165300	BASEPLATE COVER
5	0329905022	Delta Pt Round Washer Head Screw With Torx 3x 8
6	0003597000	Adjusting Nut Cpl
7	0078865054	SCREW TORX DUOTAPTITE

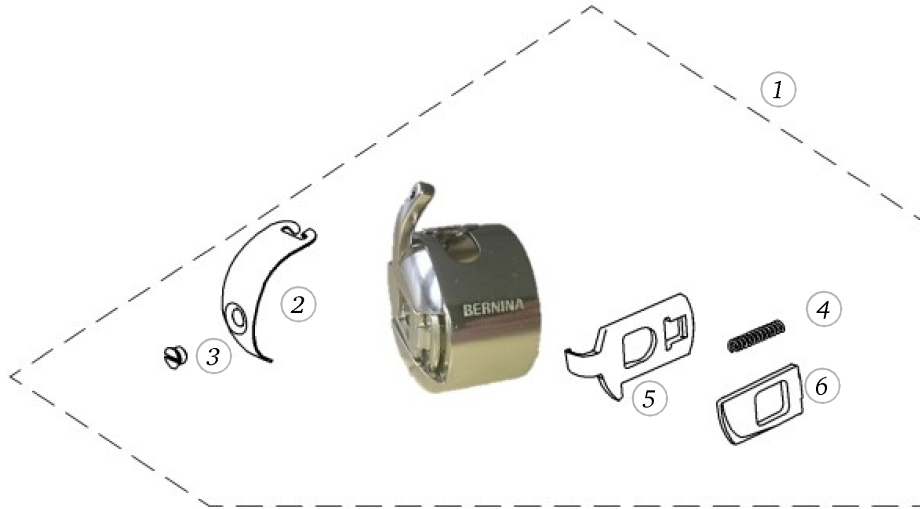
## BERNINA artista 630 / 635

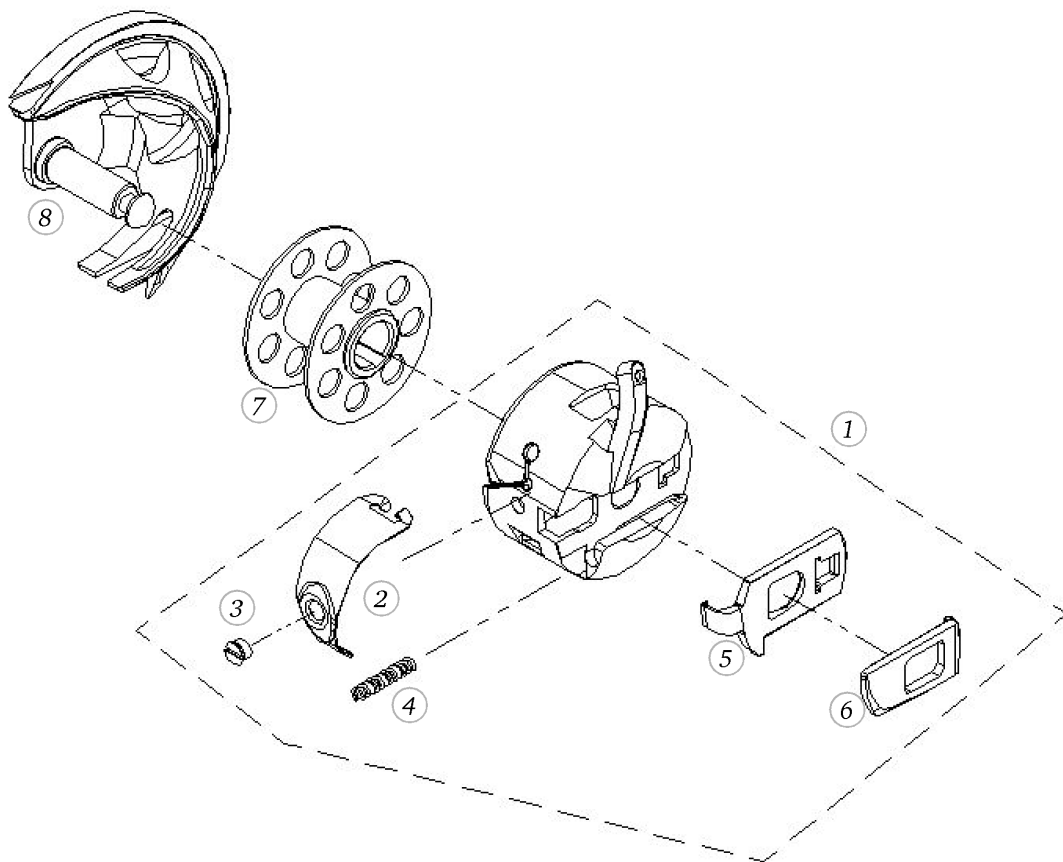


## Hook driver

Pos	Item number	Description
1	0311595100	HOOK-GUIDEWAY FINISHED
2	0310285000	NEEDLE PLATE SUPPORT
3	0032465110	Socket Button Head Screws M3x 6 ISO 7380-1 - BN6404 Art-No. 1982990
4	0311825000	Calotte Disc
5	22953723++	Washer d4.1xD10xs0.5
6	0078865045	Socket Pan Head Thread Forming Screws M4x16 DIN7500 - BN13916 Art-No. 2027615
7	0031635100	THREAD GUIDE
8	0066335100	THREAD GUIDE PLATE
9	0077525020	SCREW TORX M2.5X4
10	0310077500	HOOK DRIVER CPL
11	0007325100	DRIVER SPRING
12	0020485000	SUPPORT SHEET
13	21500683++	SCREW M2.5
14	23228553++	Washer 6.2/10x0.15
15	0017205200	LOW-HEAD-SCREW-M3
15	0017205300	thru head screw
16	0301345000	Latch
16	0301315100	latch
17	0078885043	Button Head Screw Torx Dt M4x10
18	0015867000	HOLDER CPL
19	0015387200	SHUTTLE RACE COVER CPL.
20	0329495001	SCREW M2,3X4
21	0082255004	CYLINDRICAL PIN D3X80
22	0078865043	Socket Pan Head Thread Forming Screws M4x10 DIN7500 - BN13916 Art-No. 2027593
23	0300025001	AXLE TO HOOK DRIVER
24	23501753++	Circlip For Shafts d1 5 DIN6799 - BN809 Art-No.1284665

Pos	Item number	Description
4	0015347150	bobbin case cpl.- bobbin case hinge nickle- platet-YS
1	0015347250	bobbin case cpl. bobbin case hinge nickle platet YS
2	1028945000	CB tension spring BERNINA Logo
3	1028955000	CB tension screw BERNINA Logo
4	1028965000	CB latch Spring BERNINA Logo
5	1028975000	CB latch BERNINA Logo
6	1028985000	CB flap BERNINA Logo

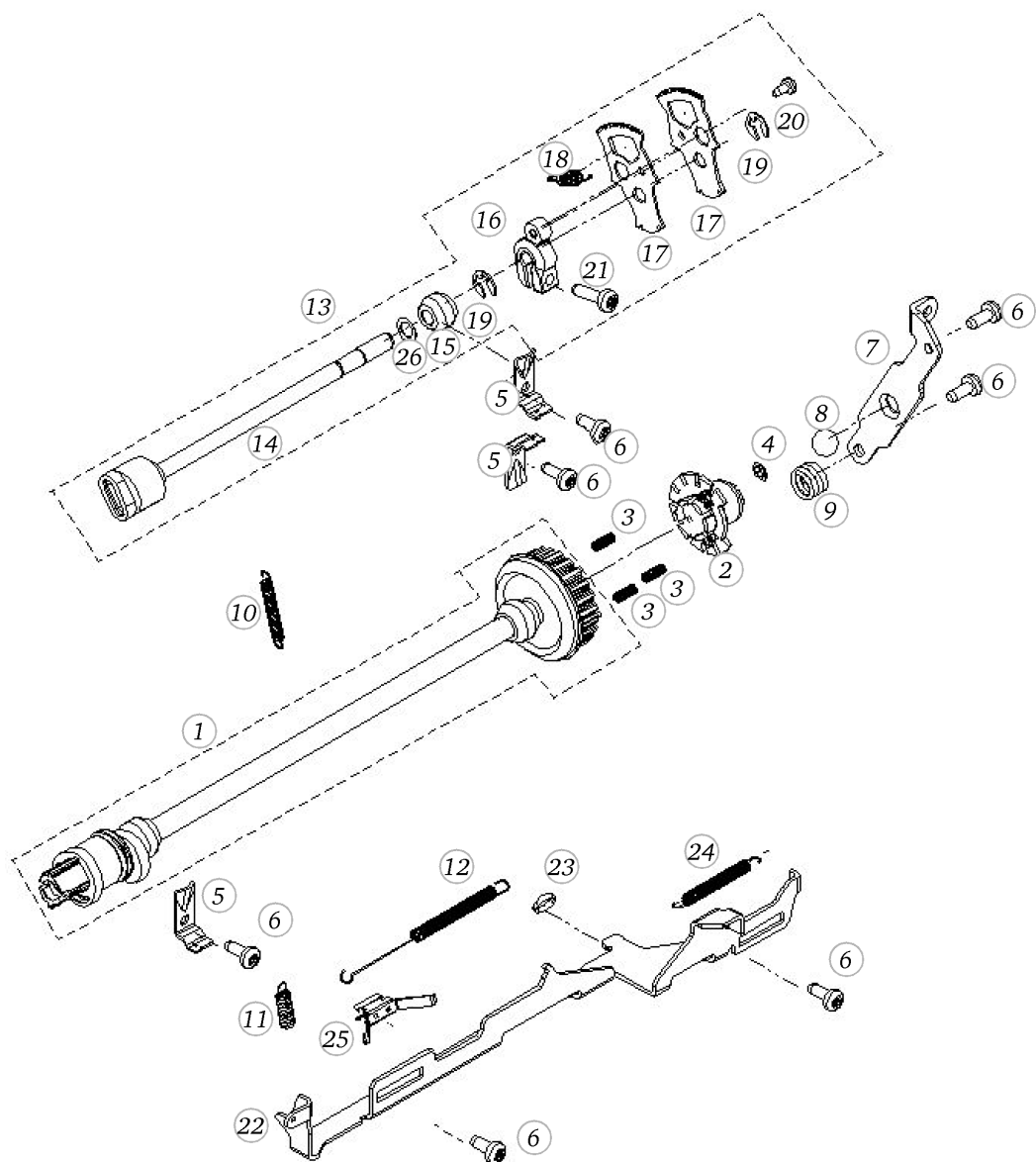




Pos	Item number	Description
4	0015347800	BOBBIN CASE CPL. NICKEL
1	0015347250	bobbin case cpl. bobbin case hinge nickle platet YS
2	317006333+	BOBBIN CASE SPRING
3	317007030+	SCREW
4	25512503++	SPRING
5	0005685200	BOBBIN CASE HINGE NICKEL PLATE
6	0005695100	BOBBIN CASE HINGE NICKEL PLATED
7	0015367200	BOBBIN
7	0015367300	bobbin
8	0302065400	CB-HOOK



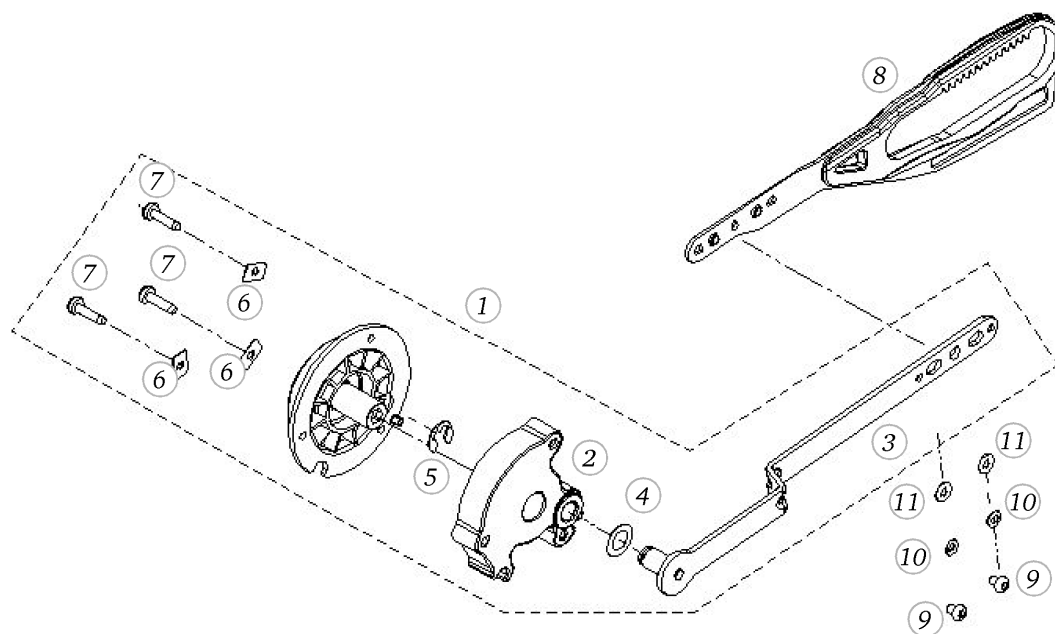
**Feed regulation**



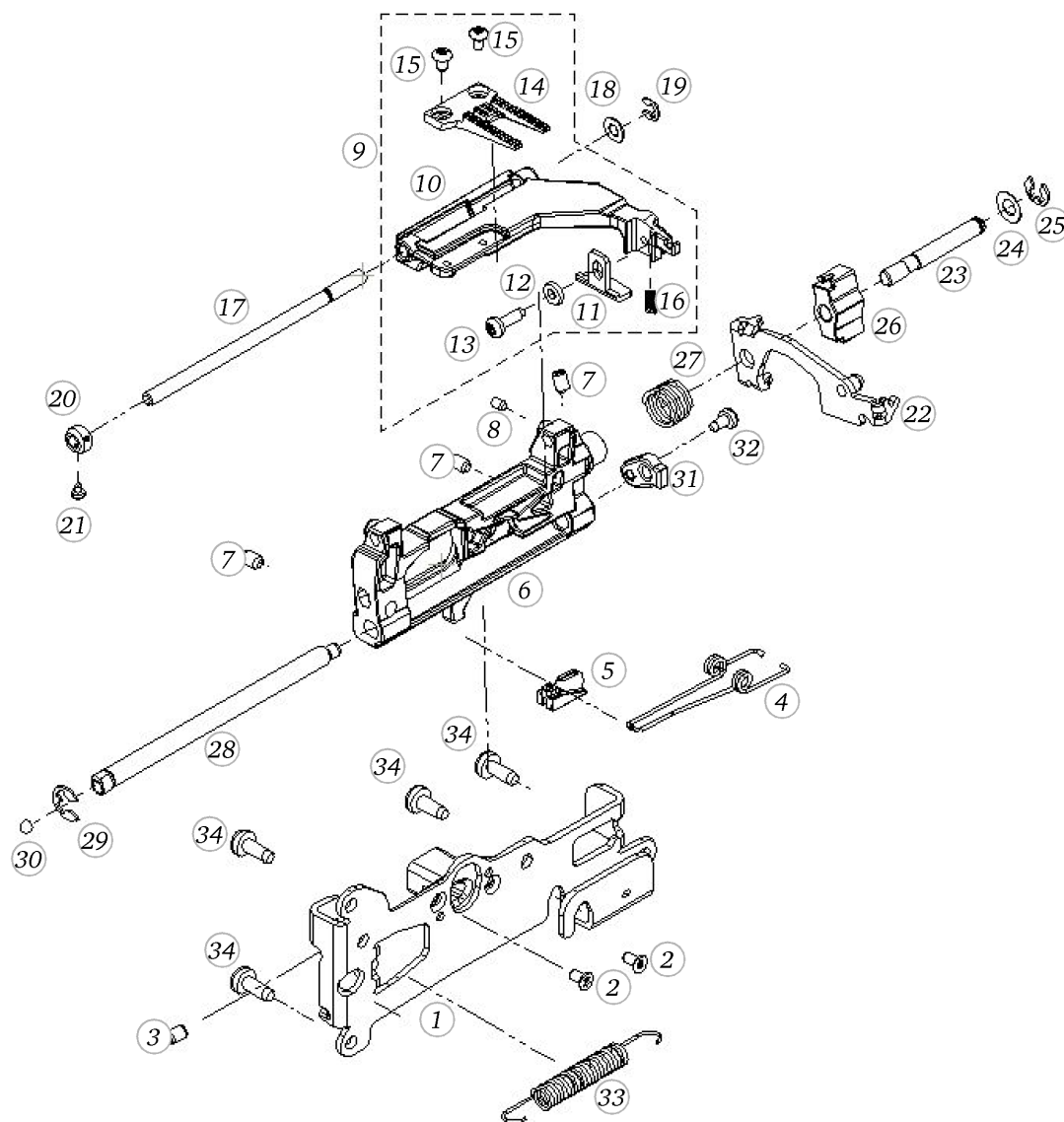
Pos	Item number	Description
1	0304497002	Base Shaft/Hook Drive Crank - Replacement Set
2	0048305000	CARRIER
3	0049645000	SPRING
4	0079135003	Circlip d3 2 Quicklock - BN833 Art-No.1292811
5	0078715200	FIXATION PIECE
6	0078865043	Socket Pan Head Thread Forming Screws M4x10 DIN7500 - BN13916 Art-No. 2027593
7	0048285200	THRUST BEARING PLATE
8	0011695003	ball G40 dm10
9	0303625000	SPRING
10	0079187100	Spring Cpl
11	25603003++	TENSION SPRING
12	0309845000	SPRING
13	0078367103	CRANK SHAFT CPL.
14	0078365002	CRANK SHAFT
15	0078235001	Bearing
16	0078035100	STITCH LENGTH CLAMP V180
17	0078015000	TOOTHED SEGMENT
18	0078445000	Tension Spring De=5,0 L0=15,5 d=0,5
18	0343315000	Tension Spring De=6 L0=18,5 d=0,85
19	23501753++	Circlip For Shafts d1 5 DIN6799 - BN809 Art- No.1284665
20	0078865033	Socket Pan Head Thread Forming Screws M3x6 DIN7500 - BN13916 Art-No. 2027534
21	0078865045	Socket Pan Head Thread Forming Screws M4x16 DIN7500 - BN13916 Art-No. 2027615
22	0308995100	FEEDDOG LINKAGE LEVER
23	0030735002	O-ring Seal D4/d2 70ShoreA NBR DIN3771
24	25606703++	TENSION SPRING
25	0315395000	SPRING WASHER
26	0078955031	Synthetic Washer



## Hook driving system

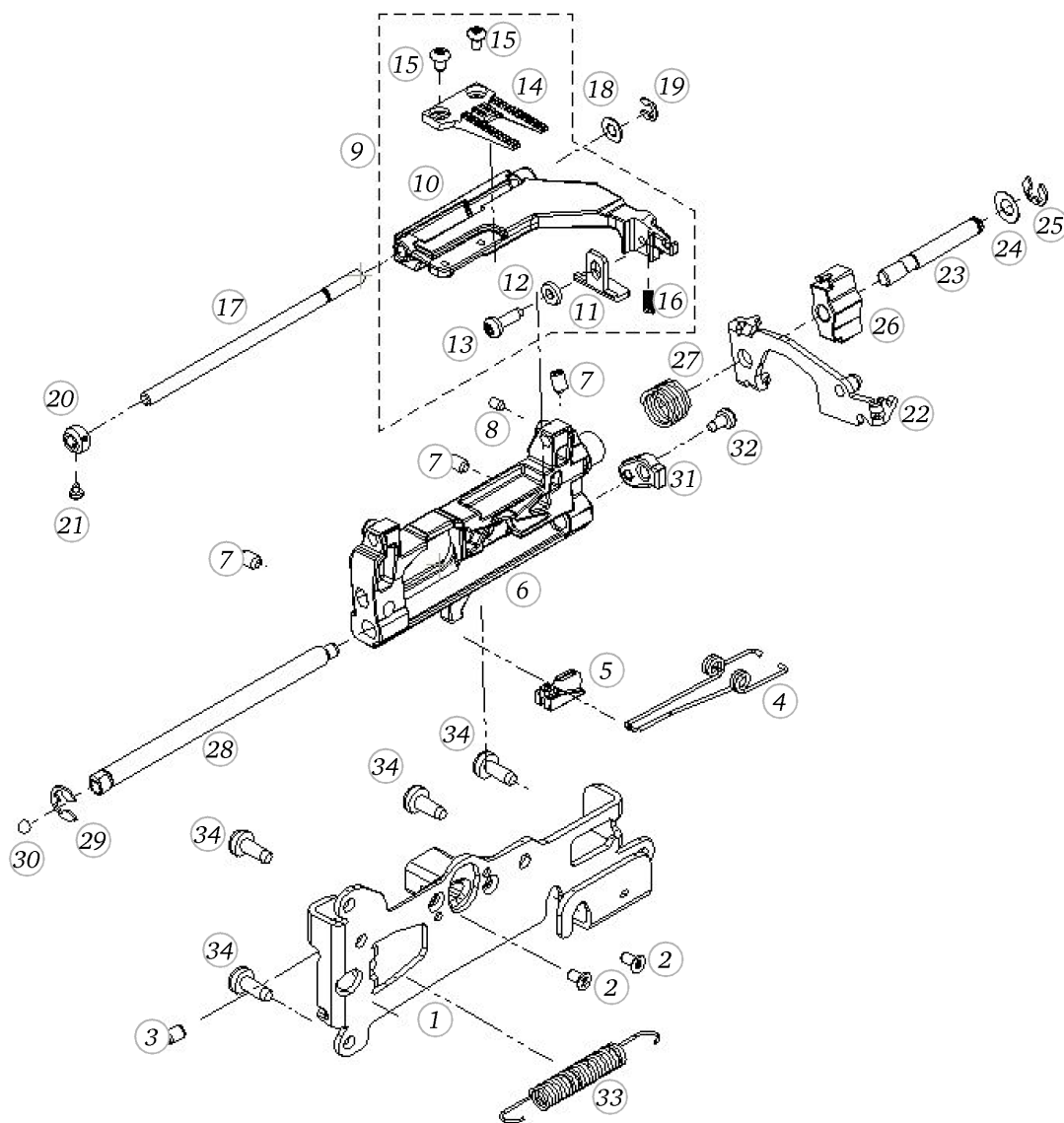


Pos	Item number	Description
1	0304497002	Base Shaft/Hook Drive Crank - Replacement Set
2	0312225000	HOOK DRIVE CRANK
3	0309147000	CRANK ARM CPL
4	23228653++	WASHER 7.2x12x0.1
5	23501753++	Circlip For Shafts d1 5 DIN6799 - BN809 Art-No.1284665
6	0301995000	WASHER
7	0078865035	Socket Pan Head Thread Forming Screws M3x10 DIN7500 - BN13916 Art-No. 2027550
8	0301575200	TOOTHED RACK FORK
9	0032465008	Socket Button Head Screws M3x4.5 screw head after BN6404
10	22951923++	Flat Washer d3.2/D 7xs0.5
11	23225753++	Curved Spring Washers M3 DIN 137 A - BN795 Art-No. 1280317



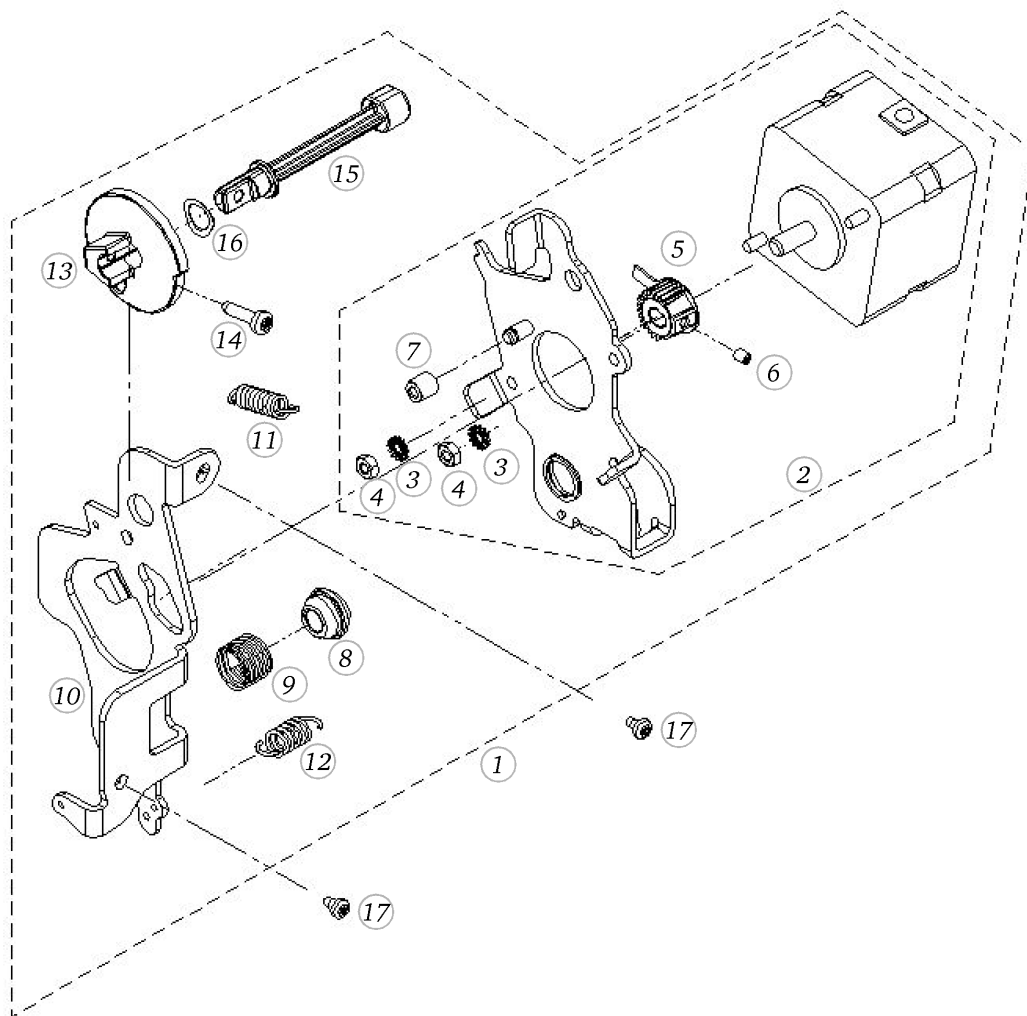
Pos	Item number	Description
1	0309337000	SUPPORT SHEET CPL
2	0302345032	SCREW
3	0078665043	Hexalobular Socket Set Screws M4x6 ISO 4026 - BN11493 Art-No. 3060208
4	0301215000	SPRING
5	0049595000	SLIDE BLOCK
6	0000245500	FEED DOG FORK
7	0078665043	Hexalobular Socket Set Screws M4x6 ISO 4026 - BN11493 Art-No. 3060208
8	0078665031	Hexalobular Socket Set Screws M3x4 ISO 4026 - BN11493 Art-No. 3060200
9	0309867000	FEED DOG SUPPORTER PREMOUNTED
10	0309865000	FEED DOG SUPPORTER
11	0000785200	ADJUSTING PLATE
12	22952113++	Washer 3.2/7x1.5 black finished
13	0078865035	Socket Pan Head Thread Forming Screws M3x10 DIN7500 - BN13916 Art-No. 2027550
14	0302155000	FEEDDOG 5.5 MM
15	0032465008	Socket Button Head Screws M3x4.5 screw head after BN6404
16	25524003++	Compression Spring De= 3,2 L0=7 d=0,45
17	0302015000	SLIDING AXLE
18	22954983++	Shim Rings 4x0.5 DIN988 - BN1976 Art-No. 3059655
19	23501153++	Circlips For Shafts d1 3.2 DIN6799 - BN809 Art-No.1284649
20	0011217001	Adjusting Ring Cpl with 1 screw
21	20500353++	Cylinder Head Screw M2x2.5
22	0078047200	THRUST REVERSER CPL.
23	0078075000	BOLT
24	23100203++	Flat Washer d5.2-10x0.5
25	23501453++	Circlips For Shafts d1 4 DIN6799 - BN809 Art-No.1284657
26	0078065100	Swing Bearing
27	0079055000	SPRING

**Feed dog unit**

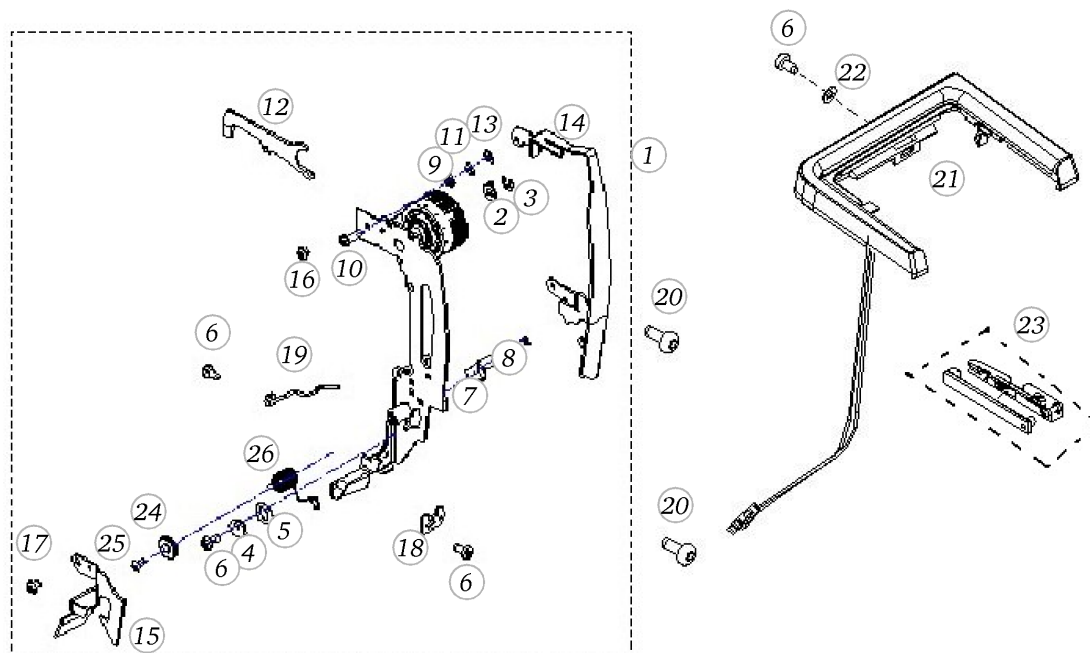


Pos	Item number	Description
28	0049695100	ECCENTRIC SHAFT
29	23501753++	Circlip For Shafts d1 5 DIN6799 - BN809 Art-No.1284665
30	0011695002	Steel Ball G40 D4 DIN5401 - BN869 Art-No. 1316281
31	0049975000	BEARING
32	0078865033	Socket Pan Head Thread Forming Screws M3x6 DIN7500 - BN13916 Art-No. 2027534
33	0078905000	SPRING
34	0078865043	Socket Pan Head Thread Forming Screws M4x10 DIN7500 - BN13916 Art-No. 2027593

**Stitch length motor**



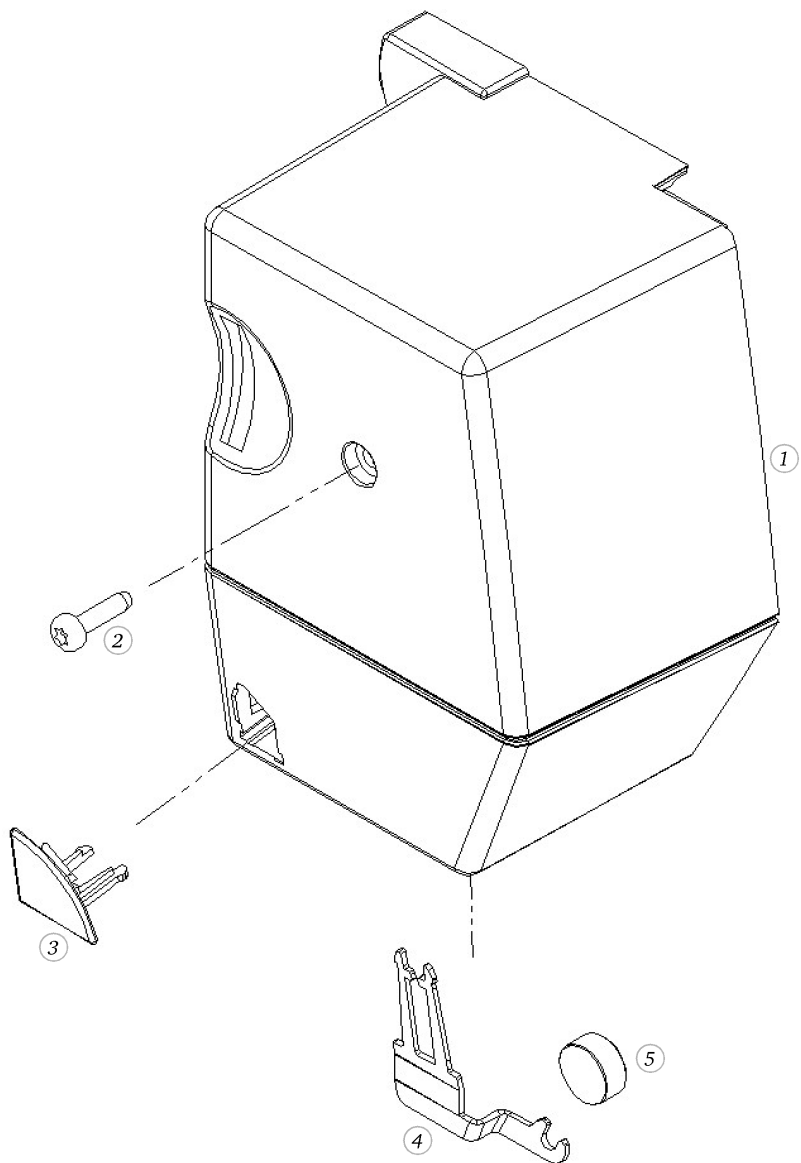
Pos	Item number	Description
1	0311477100	STITCH LENGHT ASM
2	0311467000	SM WITH SUPPORT CPL
3	23350353++	SERRATED WASHER 3.2X6X0.4
4	22502313++	HEXAGONAL NUT
5	0078187000	PINION CPL.
6	0078665031	Hexalobular Socket Set Screws M3x4 ISO 4026 - BN11493 Art-No. 3060200
7	0078815000	Absorber
8	0078545000	Bearing
9	0078565000	SPRING
10	0088295200	SUPPORT SHEET
11	25629203++	Spring
12	0306905000	Spring
13	0306755000	Adjusting Cam
14	0078865036	Socket Pan Head Thread Forming Screws M3x12 DIN7500 - BN13916 Art-No. 2027569
15	0310465000	Rotational Connector
16	0089595010	Curved Spring Washer 7.2/10.2x02
17	0078865043	Socket Pan Head Thread Forming Screws M4x10 DIN7500 - BN13916 Art-No. 2027593



Pos	Item number	Description
1	0309547500	TAKE UP LEVER COVER CPL. 5,5 M
2	0077985000	STOP DISC
3	23501153++	Circlips For Shafts d1 3.2 DIN6799 - BN809 Art-No.1284649
4	0048355000	Excenter
5	0030735004	O-ring Seal D6.75/d1.78 60±5 IRHD NBR 60,5 / P 60 A+P Ref.Nr. OR 106
6	0078865033	Socket Pan Head Thread Forming Screws M3x6 DIN7500 - BN13916 Art-No. 2027534
7	0310175100	Controlling Flag
8	23500553++	Circlips For Shafts d1 1.5 DIN6799 - BN809 Art-No.1284614
9	22502013++	Hex Jam Nut M3 Din439b
10	0300295100	ADJUSTING SCREW
11	22950313++	Washer d2.5 x D6 x s0.5
12	0049325200	RELEASE FORK
13	0079135003	Circlip d3 2 Quicklock - BN833 Art-No.1292811
14	0309915000	TAKE-UP-LEVER COVER
15	0309935100	COVER REGULATOR
16	0032465109	Socket Button Head Screws M3x3 ISO 7380-1 - BN6404 Art-No. 3645748
17	0032465007	Socket Button Head Screws M3x 4 ISO 7380-1 - BN6404 Art-No. 3148111
18	0082855001	Z-Z LIMITATION 5,5MM
19	0309315000	THREAD HOOK
20	0078865043	Socket Pan Head Thread Forming Screws M4x10 DIN7500 - BN13916 Art-No. 2027593
21	0306837400	CFL-SEWING LIGHT CPL.
22	22951923++	Flat Washer d3.2/D 7xs0.5
23	0323797000	THREAD CUTTER CPL
24	0326395000	Knurled Washer
25	0032465031	Socket Button Head Screws M3x 5 ISO 7380-1 - BN6404 Art-No. 3148113
26	0079545401	Regulator Spring

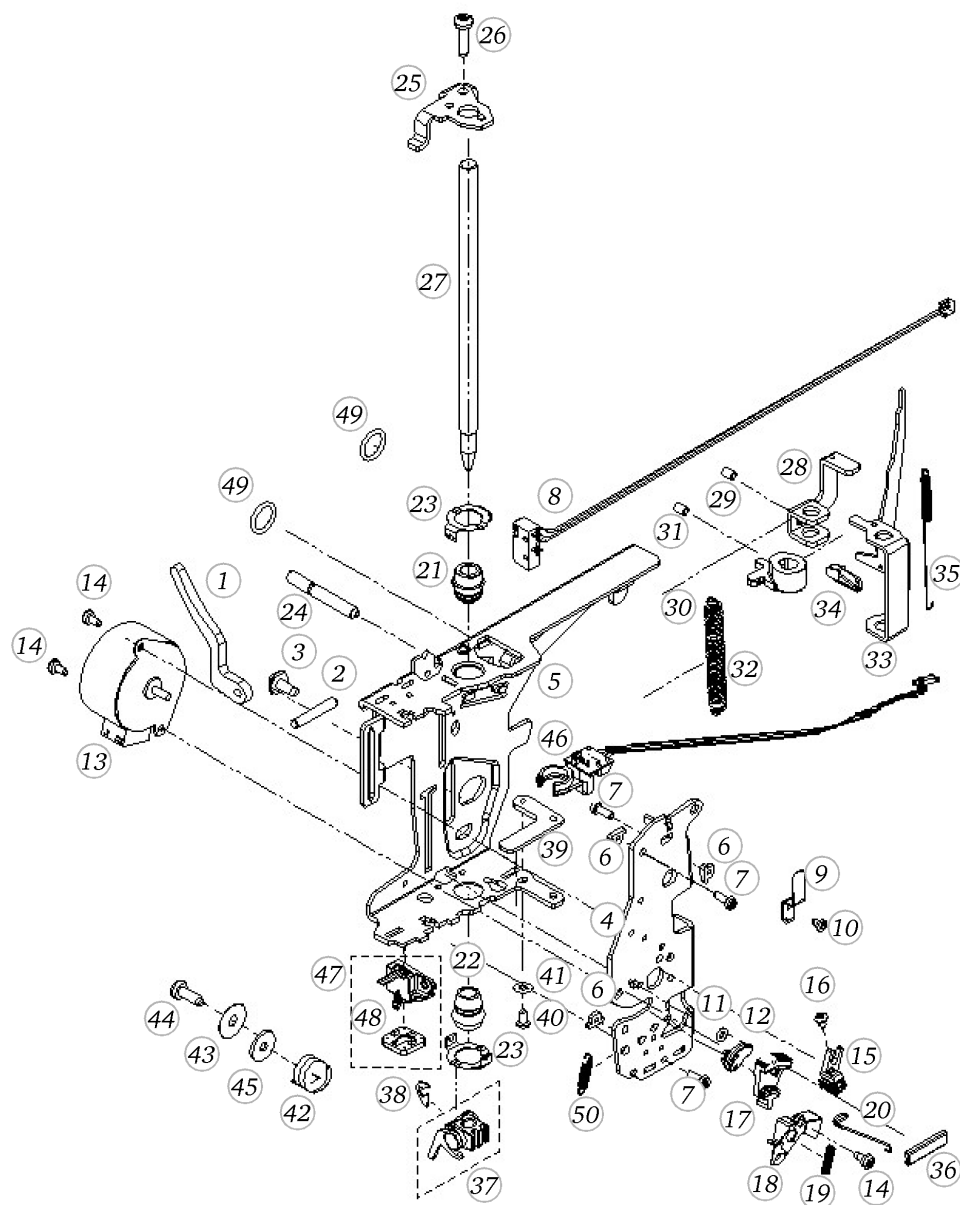
**Head cover**

Pos	Item number	Description
1	0309177300	HEAD COVER PREASS ASA
2	0078865045	Socket Pan Head Thread Forming Screws M4x16 DIN7500 - BN13916 Art-No. 2027615
3	0301007000	THREAD CUTTER CPL
4	0338537002	LENS SUPPORT A180 - A730
5	0079795201	Cap





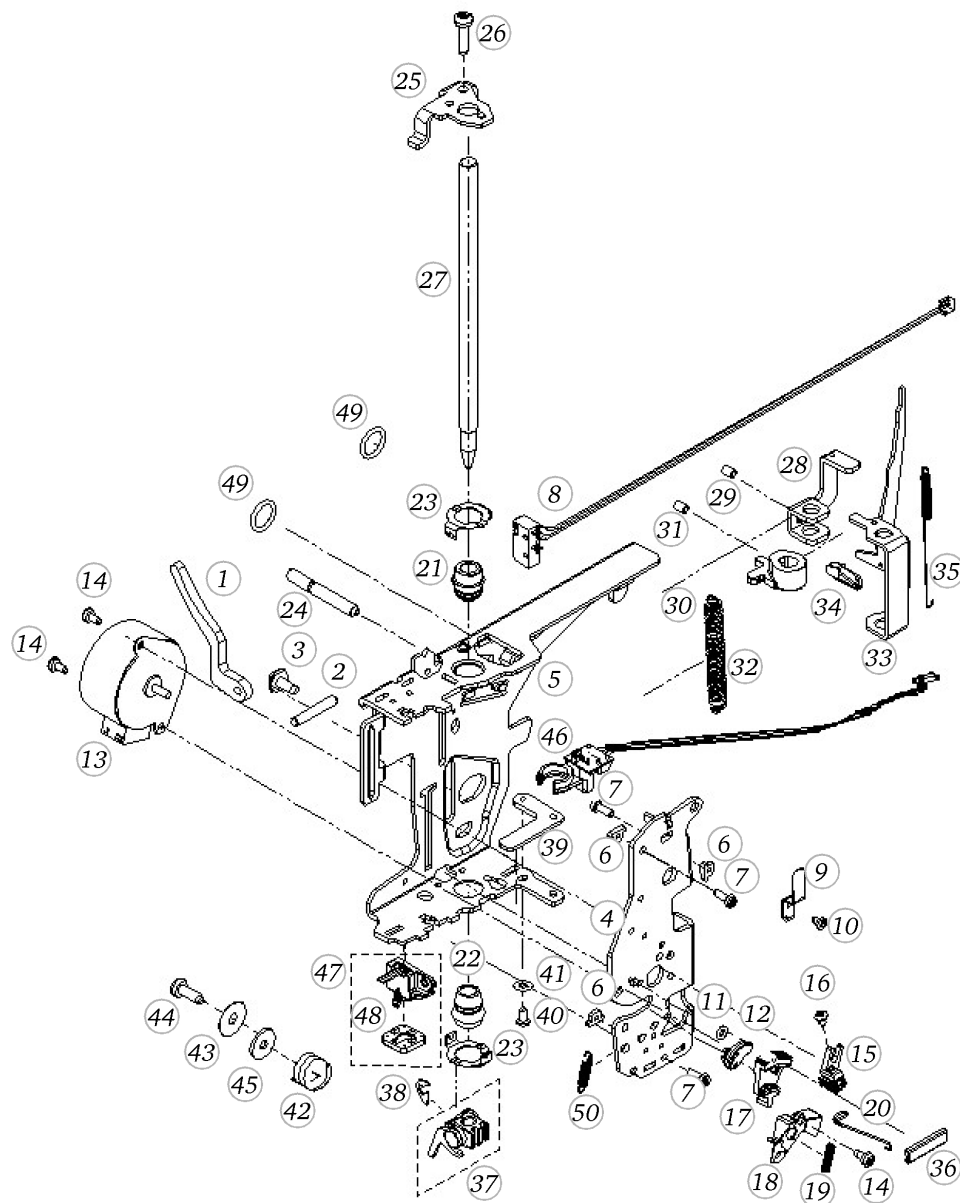
**Headplate**



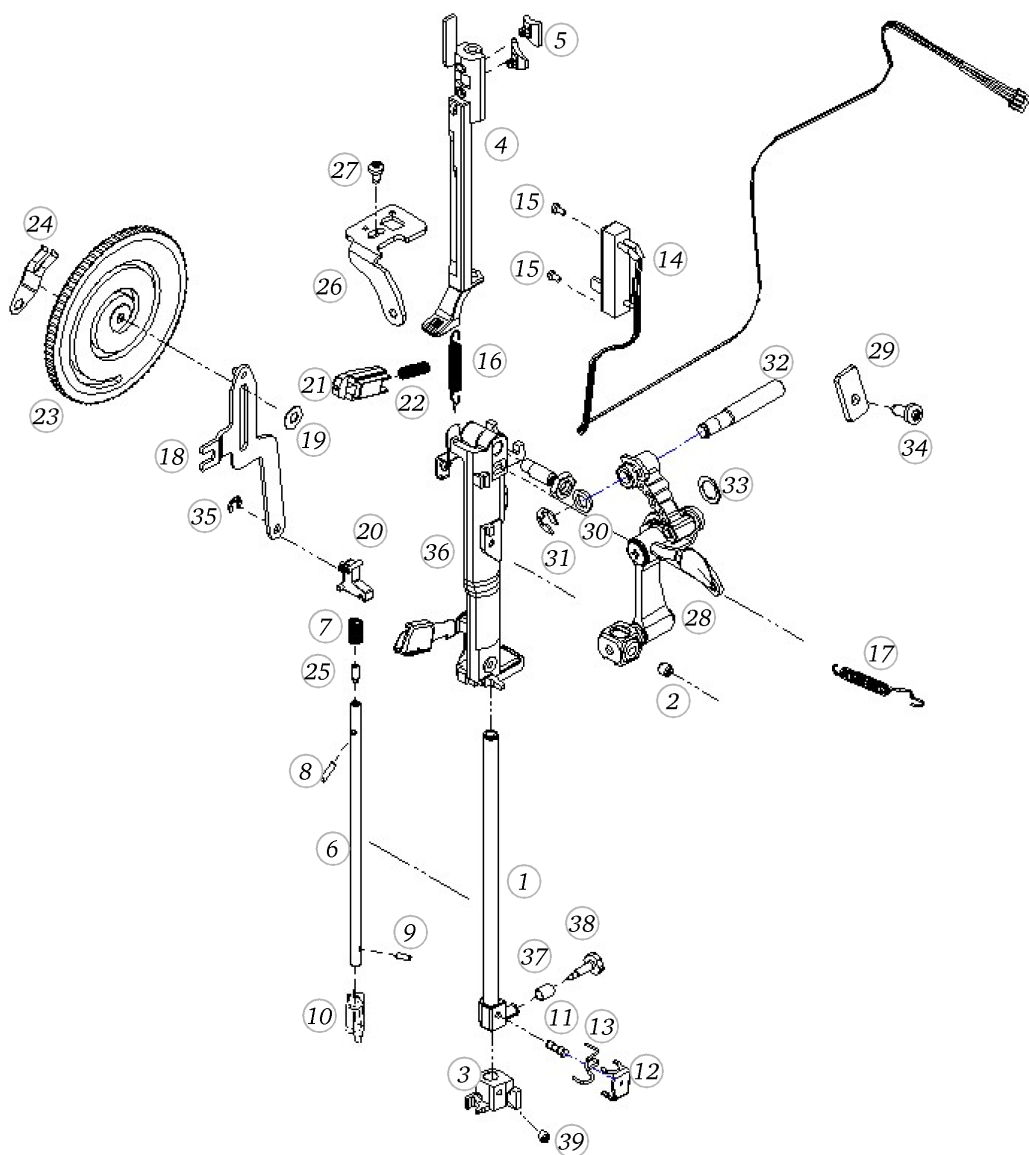
Pos	Item number	Description
1	0075685300	LIFTING LEVER
2	0082255008	PIN D 4.0X24
3	0078885043	Button Head Screw Torx Dt M4x10
4	0310765000	SWING PLATE - FRONT
5	0310757200	SWING PLATE - BACK CPL
6	0023355000	Special Nut M3
7	0077525032	Head Cap Screw Torx M3x8 ISO 14580 - BN4850 Art-No. 1145932
8	0087677205	MICRO SWITCH WITH CABEL CPL.
9	0312295000	CLAMPING YOKE
10	0078865021	Socket Pan Head Thread Forming Screws M2.5 x 4
11	0030735005	O-ring Seal D3/d1.5 70±5 IRHD NBR 70,5 / 5 P DIN3771
12	0315215000	Clip
13	0078355006	STEPPING MOTOR
14	0078865033	Socket Pan Head Thread Forming Screws M3x6 DIN7500 - BN13916 Art-No. 2027534
15	0311125000	Z-Z-PINION
16	0032465031	Socket Button Head Screws M3x 5 ISO 7380-1 - BN6404 Art-No. 3148113
17	0300895001	ZZ-SEGMENT
18	0049065100	ZZ SUPPORT
19	0303595000	Spring
20	0303445000	SPRING
21	0088105000	CALOTTE BUSHING MACHINED
22	0088105101	Calotte Bushing Machined
23	0048875000	Clasp
24	0087145001	BOLT
25	0310775000	CLAMPING SHOE
26	0078865045	Socket Pan Head Thread Forming Screws M4x16 DIN7500 - BN13916 Art-No. 2027615
27	0087335000	PRESSER FOOT BAR 157.5
28	0089225000	LEVER



**Headplate**



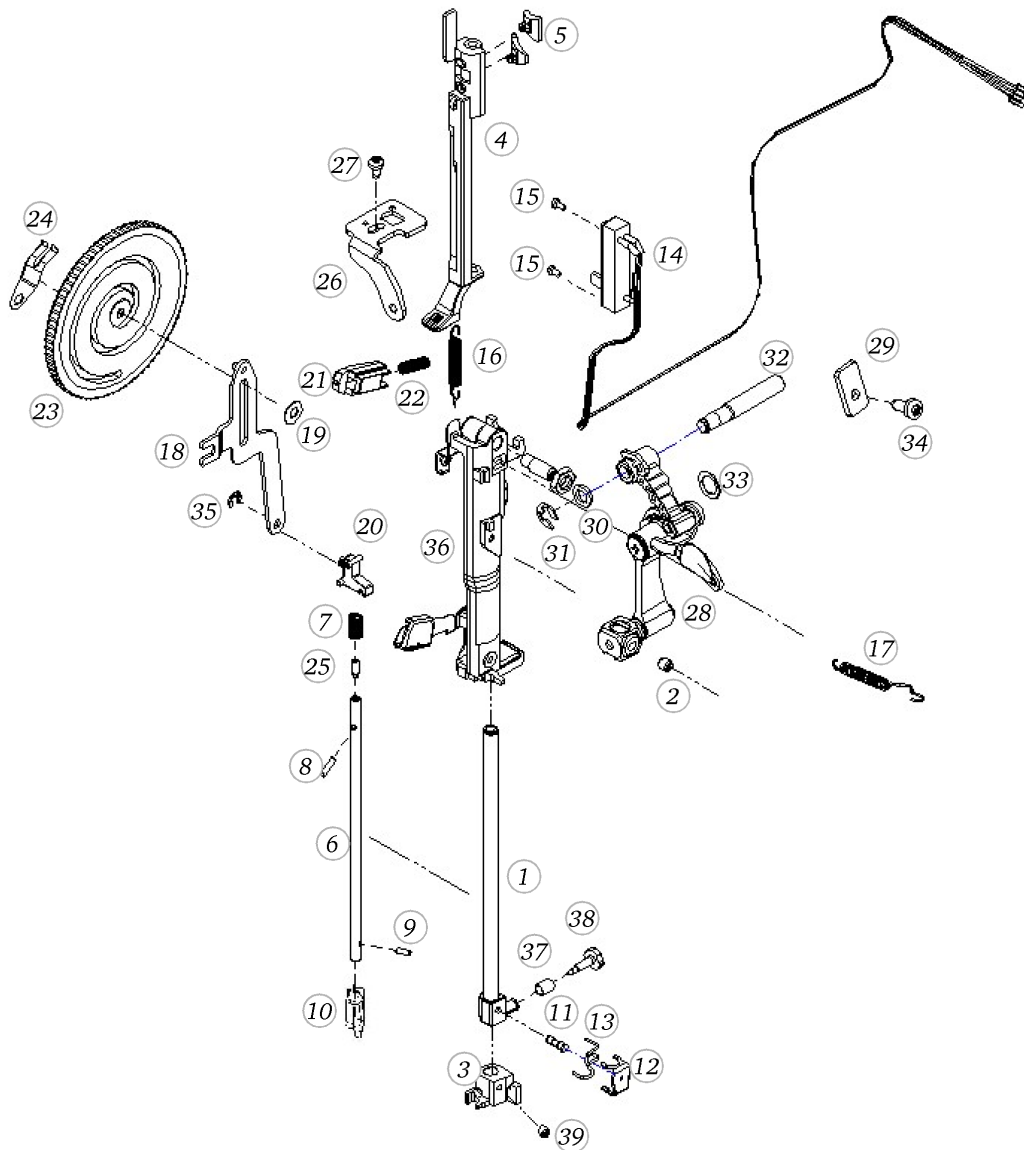
Pos	Item number	Description
29	0078665041	Hexalobular Socket Set Screws M4x4 ISO 4026 - BN11493 Art-No. 3060207
30	0089247100	PRESSER BAR GUIDE CPL
31	0078665043	Hexalobular Socket Set Screws M4x6 ISO 4026 - BN11493 Art-No. 3060208
32	0311665000	Tension Spring
33	0310635000	ENGAGING LEVER
34	0306255000	Cap
35	0303585100	Spring
36	0302045000	Slideway
37	0011177101	Clamp piece cpl.
38	0089325000	Safety Plate
39	0049075000	ADJUSTING ARM
40	0032465110	Socket Button Head Screws M3x 6 ISO 7380-1 - BN6404 Art-No. 1982990
41	22950713++	WASHER 3.2 X 7 X 0.5
42	0311655000	PRESSURE SPRING
43	0089255017	Shim Ring 4/16x0.5 Bn748
44	0078865044	Socket Pan Head Thread Forming Screws M4x12 DIN7500 - BN13916 Art-No. 2027607
45	22954313++	Washer d4.2xD14xs1.5
46	0159787202	PRINT BUTTONHOLE SENSOR
47	0314987300	PHONE JACK ADD-ON
48	0314735000	PHONE JACK ADAPTER
49	0030735100	o-ring seal D10.82/d1.78 70ShoreA EPDM schwefelvernetzt D
50	25625203++	Tension Spring Dm=2,90 L0=10,30 d=0,30



Pos	Item number	Description
1	0082087101	NEEDLE BAR CPL. W/O Q2.9
2	0078685052	Hexalobular Socket Set Screws M5x5
3	0075637300	Guide Assembled
4	0306445100	Thread-up Support
5	0306495000	Curve Inset
6	0075747200	Threader Device Cpl.
7	0075965000	Druckfeder -
8	24105643++	Parallel Pin Hardened 2h6x12 BN 858
9	0082395011	Spiral Spring Pin 2x6 ISO 8750 - BN874 Art-No. 1323334
10	0337927100	Threader Head Packed Semi-automatic
11	0082115002	PIN Ø2.20
12	0315025000	Clamp
13	0315035100	THREAD GUIDE
14	0230577000	SLIDE POTENTIOMETER CPL
15	0032465020	SCREW M2X4
16	0075315200	Spring
17	0303575200	SPRING
18	0310867000	PRESSURE LEVER CPL
19	23101103++	NYLON WASHER
20	0310885000	SPRING SLIDE
21	0311315000	INDEX SLIDE
22	0315455000	SPRING
23	0310905000	ADJUSTING WHEEL
24	322109031+	FASTENING SPRING
25	20150113++	Hexagon Socket Set Screw M3x8
26	0310185000	CONNECTING PLATE
27	0078865033	Socket Pan Head Thread Forming Screws M3x6 DIN7500 - BN13916 Art-No. 2027534
28	0082847300	TAKE UP LEVER SET
29	0049205000	CLAMP
30	23001213++	Flat Washer d6.2xD10xs1
31	23501753++	Circlip For Shafts d1 5 DIN6799 - BN809 Art-No.1284665

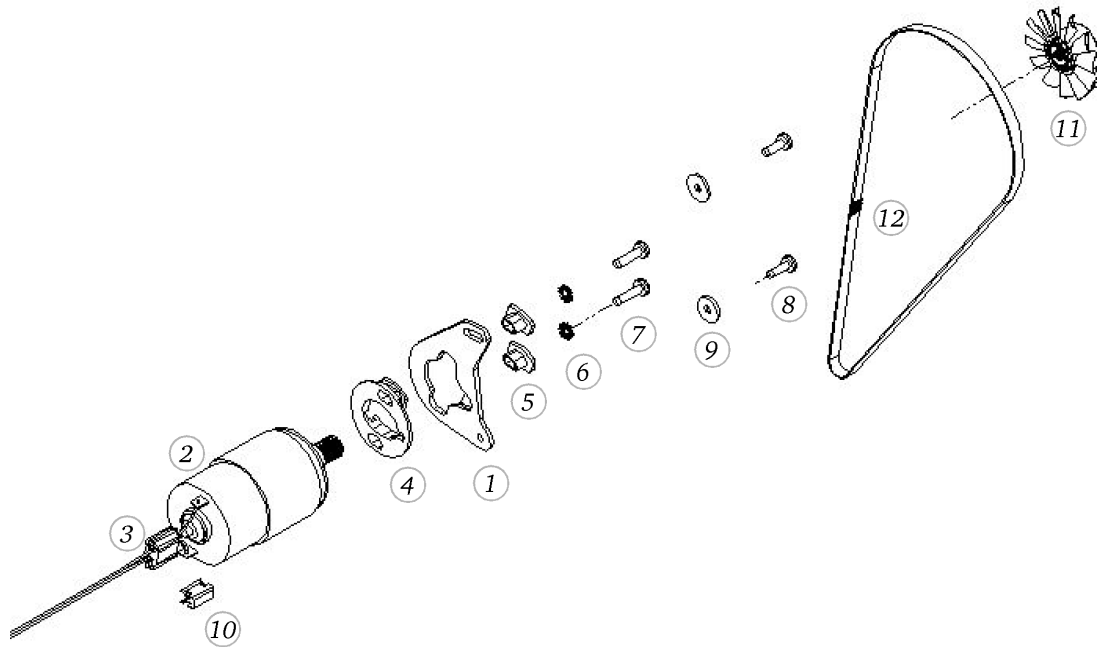
## BERNINA artista 630 / 635

## Support with threading

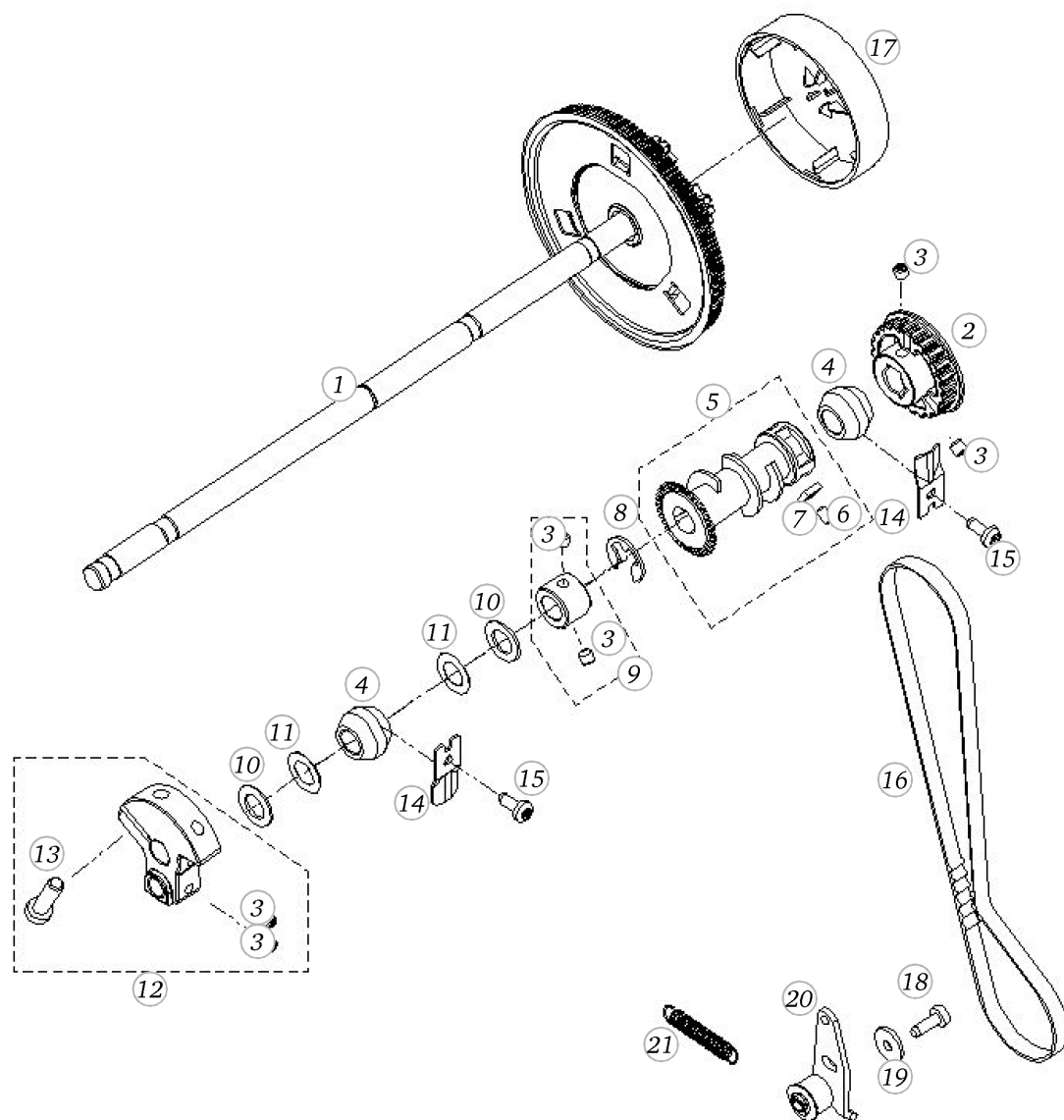


Pos	Item number	Description
32	0088205000	BOLT
33	22961743++	WASHER
34	0078865043	Socket Pan Head Thread Forming Screws M4x10 DIN7500 - BN13916 Art-No. 2027593
35	23501153++	Circlips For Shafts d1 3.2 DIN6799 - BN809 Art- No.1284649
36	0320797002	NEEDLE BAR SUPPORT SET
37	0012965200	Spring Husk
38	0082435200	NEEDLECLAMP-SCREW
38	0082435400	Needle Clamp Screw
38	0082435300	Needle Clamp Screw
38	0082435400	Needle Clamp Screw
39	0078665041	Hexalobular Socket Set Screws M4x4 ISO 4026 - BN11493 Art-No. 3060207

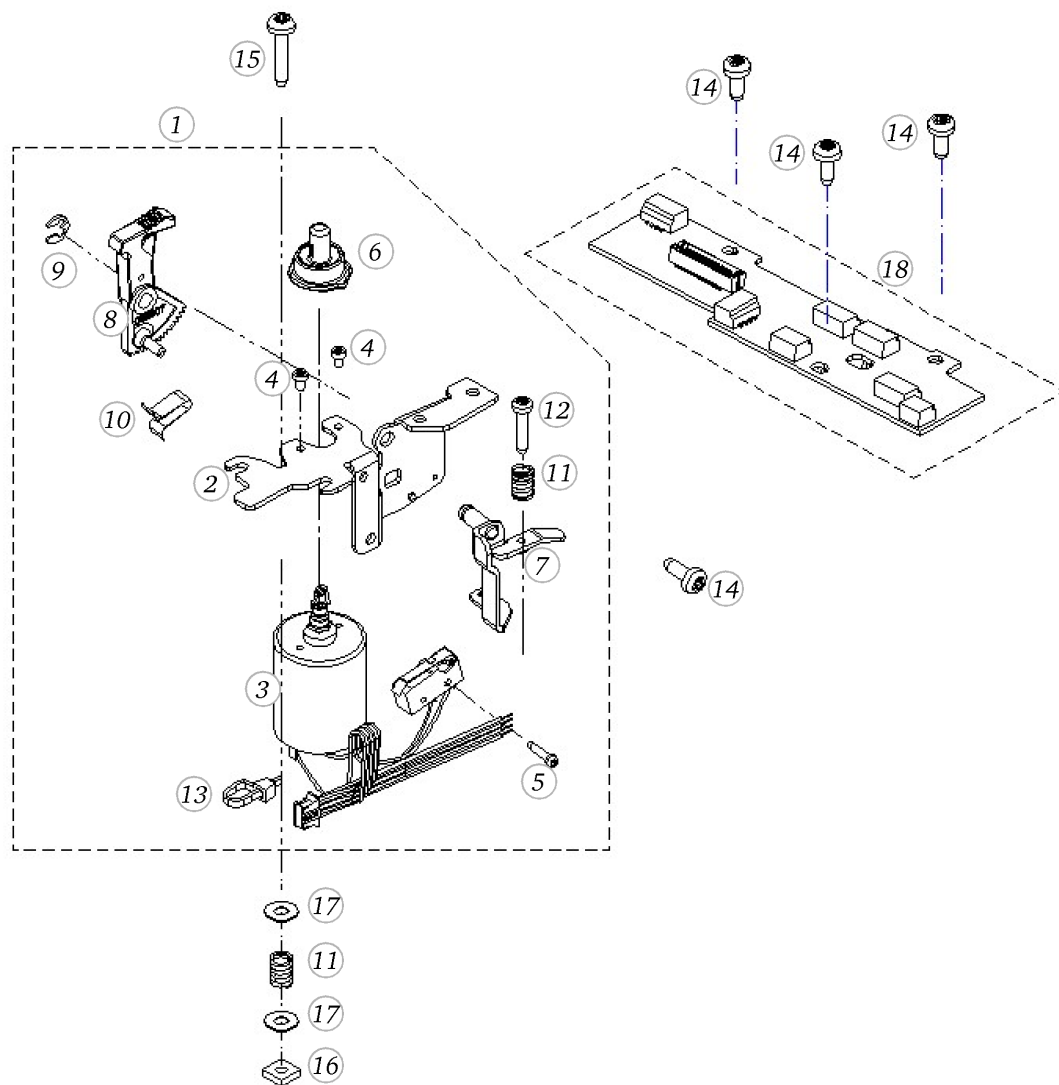
**Main motor**



Pos	Item number	Description
1	0088495000	Motor Support
2	0078847203	DRIVER MOTOR CPL
3	0038537102	MOTOR CABLE CPL
4	0078985100	Cuff
4	0078985200	Cuff
5	0078995100	Bushing
5	0078995200	Bushing
6	23350653++	Curved Spring Washe d4.3xD8xs0.5
7	0078865045	Socket Pan Head Thread Forming Screws M4x16 DIN7500 - BN13916 Art-No. 2027615
8	0078865044	Socket Pan Head Thread Forming Screws M4x12 DIN7500 - BN13916 Art-No. 2027607
9	22954313++	Washer d4.2xD14xs1.5
10	0048315000	Clamp
11	0304355200	MOTOR FAN
12	0079035002	BELT STD-554-S2M-6



Pos	Item number	Description
1	0077797002	MAINSHAFT CPL.
2	0019947301	BELT DRIVE 24 TEETH
3	0078685072	Hexalobular Socket Set Screws M5x0,5x5
4	0078235002	Bearing 10
5	0311147000	SYNCHRO DISC CPL
6	0078665043	Hexalobular Socket Set Screws M4x6 ISO 4026 - BN11493 Art-No. 3060208
7	22684183++	Square Thin Nuts M4 DIN 562 - BN145 Art-No. 1092502
8	0079665011	Circlip For Shafts As 9.0, Benzing
9	0077817000	Adjusting Ring Cpl.
10	0078955071	Synthetic Washer 10,3 x 17 x 1
11	303200031+	Washer
12	0077807100	BALANCE PIECE CPL.
13	0077525067	SCREW
14	0077785200	Clamping Claw with slote
14	0077785300	Clamping Claw with slote
15	0078865043	Socket Pan Head Thread Forming Screws M4x10 DIN7500 - BN13916 Art-No. 2027593
16	0079035022	BELT 188 XL
17	0077717000	HAND WHEEL CPL.
18	0078865044	Socket Pan Head Thread Forming Screws M4x12 DIN7500 - BN13916 Art-No. 2027607
19	22954313++	Washer d4.2xD14xs1.5
20	0302147000	BELT STRETCHER PREASSEMBLED
21	25604703++	TENSION SPRING

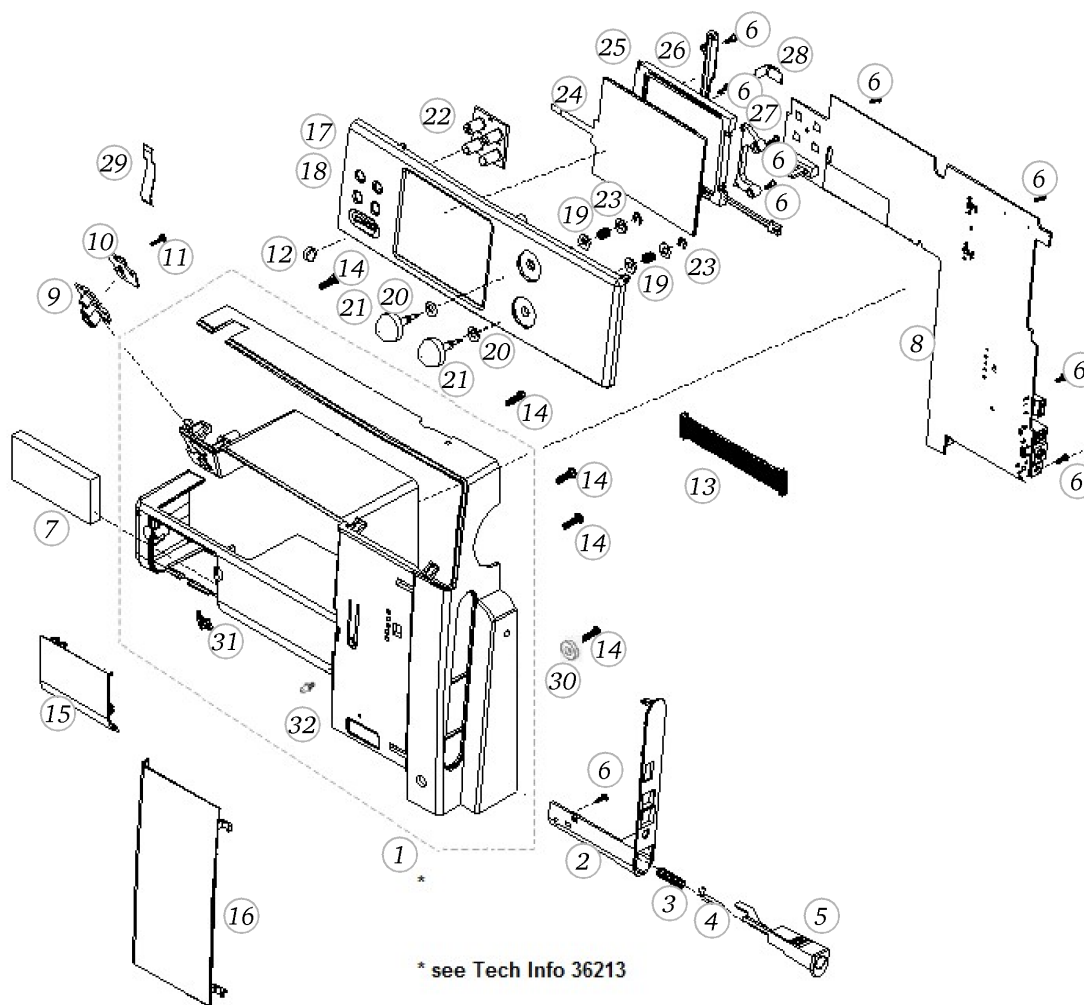


Pos	Item number	Description
4	0311537002	BOBBIN-WINDER-CPL.
1	0311537202	BOBBIN WINDER CPL.
2	0311515000	WINDER SUPPORT
3	0022577005	BOBBIN-WINDER-MOTOR-CPL.
3	0022577105	BOBBIN WINDER MOTOR CPL.
4	0077525020	SCREW TORX M2.5X4
5	0078865015	Socket Pan Head Thread Forming Screws M2x10 DIN7500 - BN13916 Art-No. 3271298
6	0018437200	Spool Carrier Cpl. white
7	0311527100	Governor Lever Cpl
8	0020077100	BOBBIN WINDER LEVER CPL.
9	23501453++	Circlips For Shafts d1 4 DIN6799 - BN809 Art- No.1284657
10	0077745000	Spring
11	25545003++	Spring
12	0077525035	Head Cap Screw Torx M3x16 ISO 14580 - BN4850 Art-No. 1145967
13	329374030+	CABLE TIE 2,5 x 98mm
14	0078865043	Socket Pan Head Thread Forming Screws M4x10 DIN7500 - BN13916 Art-No. 2027593
15	0078865046	Socket Pan Head Thread Forming Screws M4x20 DIN7500 - BN13916 Art-No. 3070342
16	22683903++	Square Nuts M4 s8x2 bright
17	22955013++	Flat Washer 4.3/10x0.6 black
18	0230497100	P-PRINT KPL.



# BERNINA artista 630 / 635

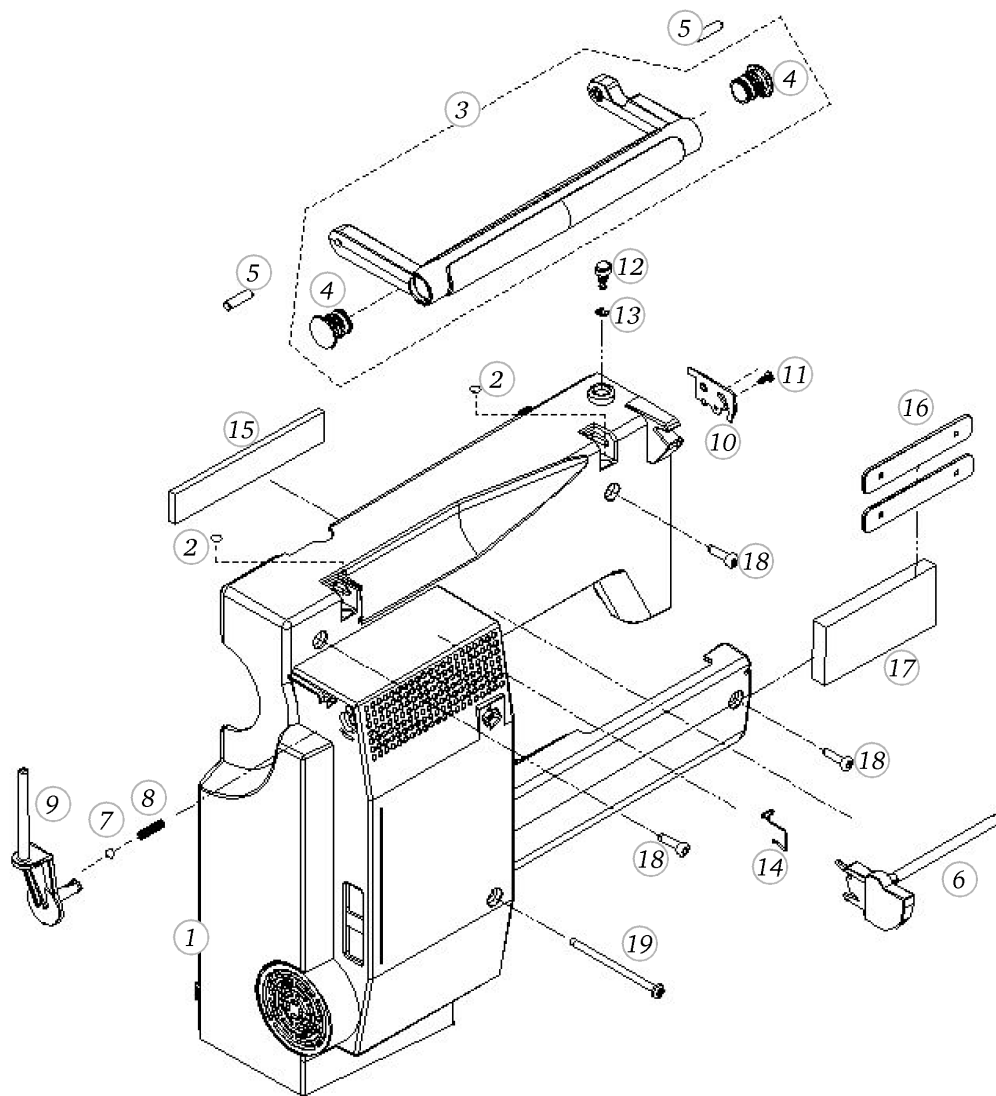
# Front cover (630 / 635)



Pos	Item number	Description
1	0338127001	SPARE-SET FRONT COVER A630
2	0310335201	COVER
3	0321135000	Spring
4	0300965000	SWITCH LEVER
5	0310365000	SWITCH BUTTON
6	0329895001	Delta Pt Pan Head Screw With Torx 2,5x 8
7	0316145100	INSULATION MAT
8	0310627301	S-PRINT CPL A630
9	0310405202	RUBBER PAD RET
10	0310657200	RET-PRINT CPL
11	0023345001	TORX SCREW
12	0311165000	BUTTON
13	0311345000	CABLE CPL
14	0329895034	Delta PT pan head screw
15	0310377302	BOBBIN DOOR CPL RL WITHOUT UFU
16	0311155304	CHANGE COVER 630
17	0310345100	FACE PLATE
18	0311155355	CHANGE COVER SPEC.635 US
19	25501003++	Spring Mounted
20	0078955021	Synthetic Washer 5,8 x 10 x 1
24	0344135400	BUTTON-630/640
21	0311135200	button
22	0310715100	RUBBER PAD
23	23501453++	Circlips For Shafts d1 4 DIN6799 - BN809 Art- No.1284657
24	0359597100	Spare-set Touch-Screen artista 630 - 640
25	0356957000	SPARE-SET LCD ARTISTA 630/640
26	0310385000	HOLDER
27	0310395000	SUPPORT
28	0311355000	FLAT FLEXIBLE CABLE
29	0311355001	FLAT FLEXIBLE CABLE
30	22954113++	Flat Washers 4.2/9x1 black
31	0321337000	THREAD CUTTER CPL
32	0330135000	BOLT

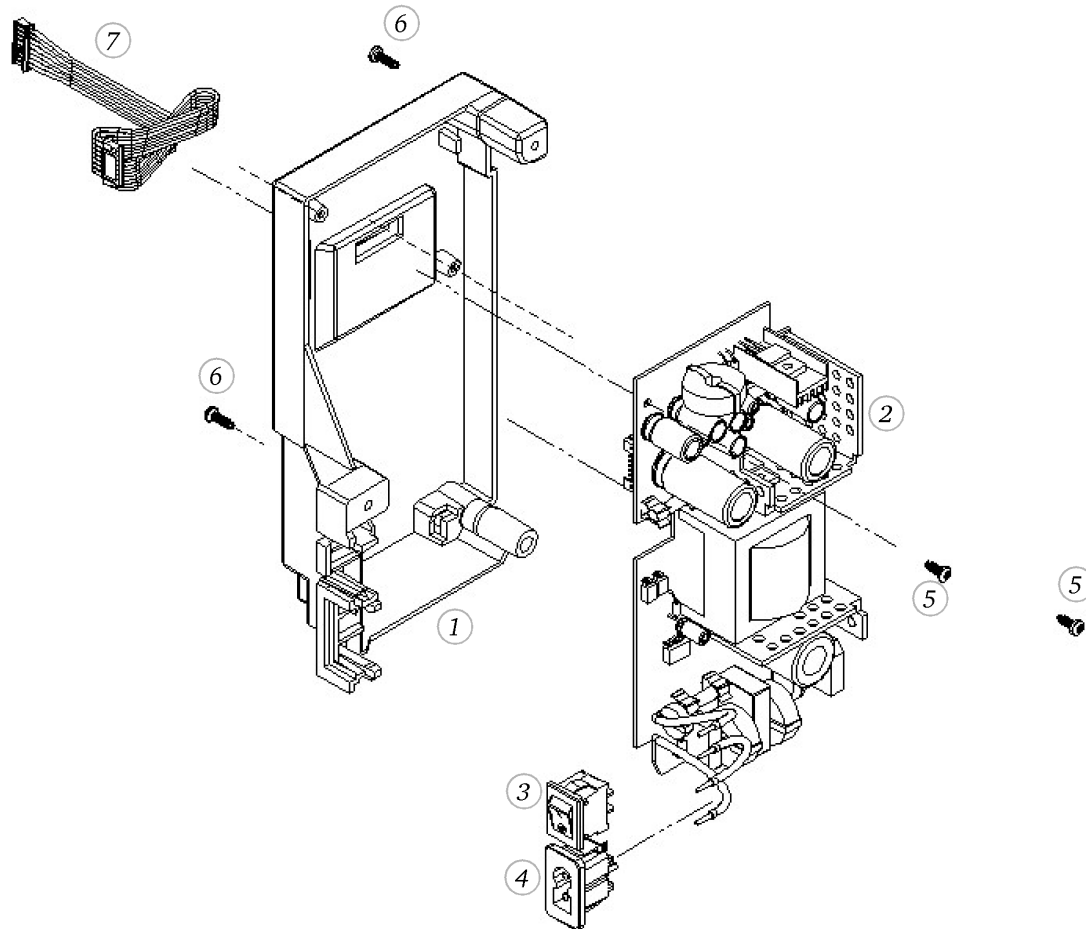


**Rear cover**

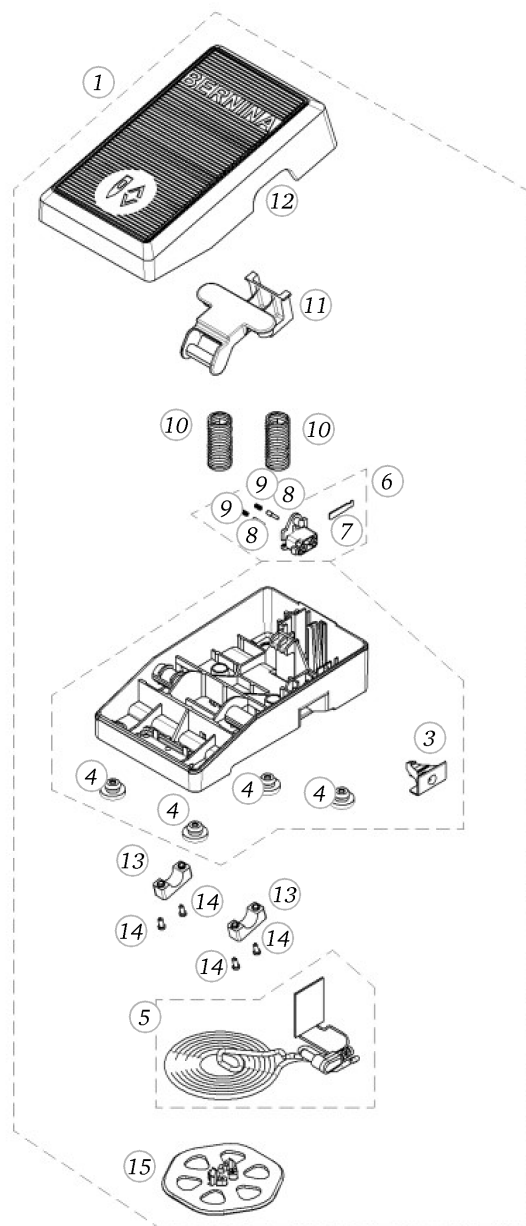


Pos	Item number	Description
1	0324327000	REAR COVER ASS.ASA
2	0300725000	Bumpons
3	0049017012	HANDLE CPL
4	0315805000	CONCLUSION CAP
5	0302095100	BOLT
6	0049025101	SPOOL SUPPORT
7	0011695000	steel ball G40
8	0325815000	SPRING
9	0303355000	SPOOL SUPPORT PIN TURNING
10	0309667400	thread guide cpl.
11	0329895011	delta pt pan head screw with torx 3x 8
12	0048497200	BOBBIN WINDER THREAD TENSION CPL.
13	23501153++	Circlips For Shafts d1 3.2 DIN6799 - BN809 Art-No.1284649
14	0310495000	EYE HOOK
15	0316405000	BUFFER FOR FREE ARM A=115
16	0014665000	DAMPING SHEET
17	0316145100	INSULATION MAT
18	0078865045	Socket Pan Head Thread Forming Screws M4x16 DIN7500 - BN13916 Art-No. 2027615
19	0302195001	TORX SCREW DT

**Power supply**



Pos	Item number	Description
1	0309195000	PRINT COVER
2	1027957001	SMPS cpl. B5xx
2	1027957101	Power supply cpl. B5xx (LUN)
3	0304745000	I/O-switch vertically
4	0304735000	POWER INLET
5	0329895011	delta pt pan head screw with torx 3x 8
6	0329905023	Delta Pt Round Washer Head Screw With Torx M3x10
7	0230447100	Cable Cpl.

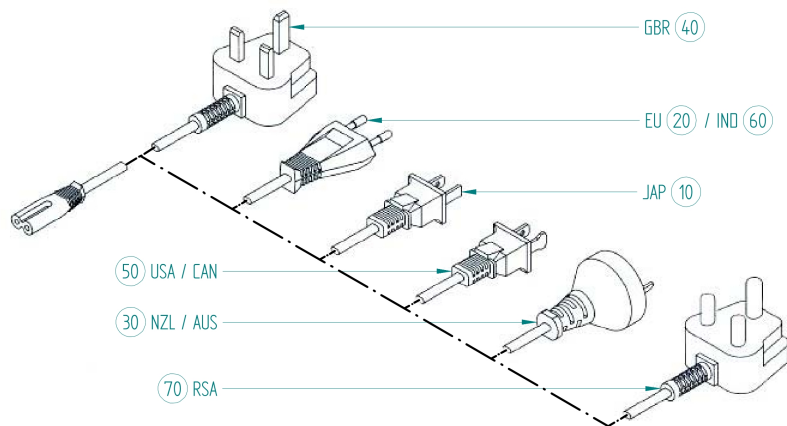


Pos	Item number	Description
4	0079887501	FOOT CONTROLLER CLASSIC-LV1
1	1046637000	Foot Controller with Back Kick
3	0082655000	HOLDER
4	0026985001	Foot
5	0082957100	FOOT CONTROL CABLE SET
6	0026437000	Slidegate Valve Of Cpl.
7	325278030+	CONTACT PLATE
8	325355031+	TRACER PIN
9	25503303++	PRESSURE SPRING
10	25570103++	PRESSURE SPRING
11	325371030+	PRESSURE YOKE
12	0026457204	Footstep Disk Housing Cpl Footstep NCS (CLASSIC) Housing NCS
13	0026515002	Bride
14	20302323++	CYL. SCREW
15	0079875201	Wire Plate

# BERNINA artista 630 / 635

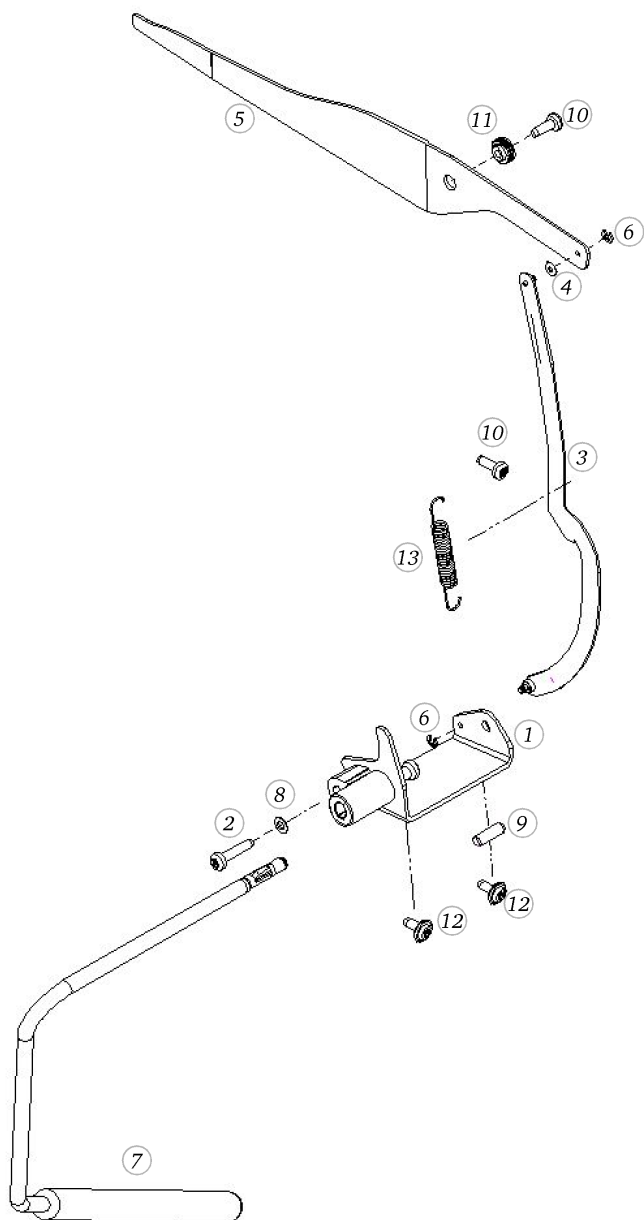
## Power Plug

Pos	Item number	Description
10	0079287004	Power Cord Cpl. Japan
20	0079287303	Power Cord Cpl. Europe
30	0079287002	Power Cord Cpl. New Zealand / Australia
40	0079287001	Power Cord Cpl. Great Britain
50	0079287300	Power Cord Cpl. USA / CAN
60	0079287000	Power Cord India
70	0079287405	Power Cord Cpl. South Africa



## BERNINA artista 630 / 635

## Knee lifter (FHS) Free Hand system



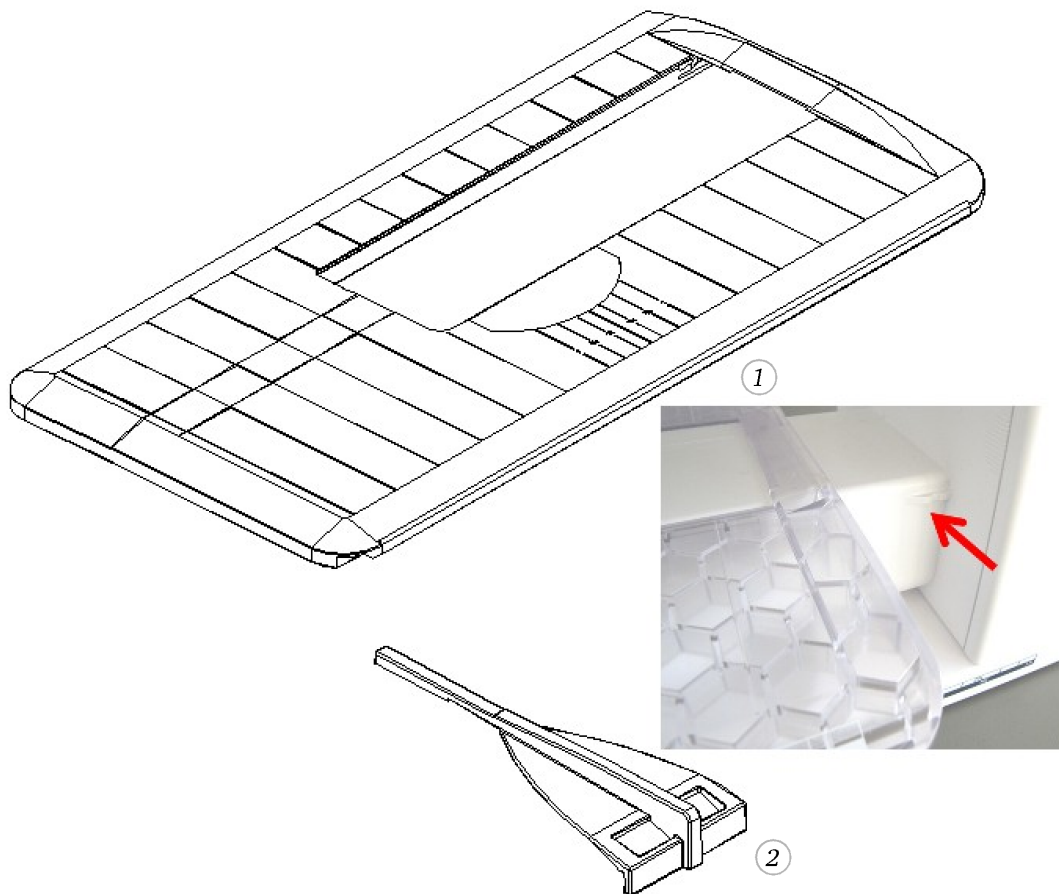
Pos	Item number	Description
1	0308607000	FHS BEARING SHEET CPL
2	0078865046	Socket Pan Head Thread Forming Screws M4x20 DIN7500 - BN13916 Art-No. 3070342
3	0310607000	CONNECTING STRAP CPL
4	22951923++	Flat Washer d3.2/D 7xs0.5
5	0308885000	SEESAW
6	23500853++	Circlips For Shafts d1 2.3 DIN6799 - BN809 Art- No.1284630
7	0016357700	Knee Lifter Lever Cpl.
8	22954683++	Flat Washer M4 DIN 433 - BN726 Art-No. 1269577
9	0082255003	CYLINDRICAL PIN Ø5-h8x16
10	0078885043	Button Head Screw Torx Dt M4x10
11	0077675100	Eccentric
12	0078865044	Socket Pan Head Thread Forming Screws M4x12 DIN7500 - BN13916 Art-No. 2027607
13	0078905000	SPRING

# BERNINA artista 630 / 635

## Sewing platform (Prod. 2004 - 2011)

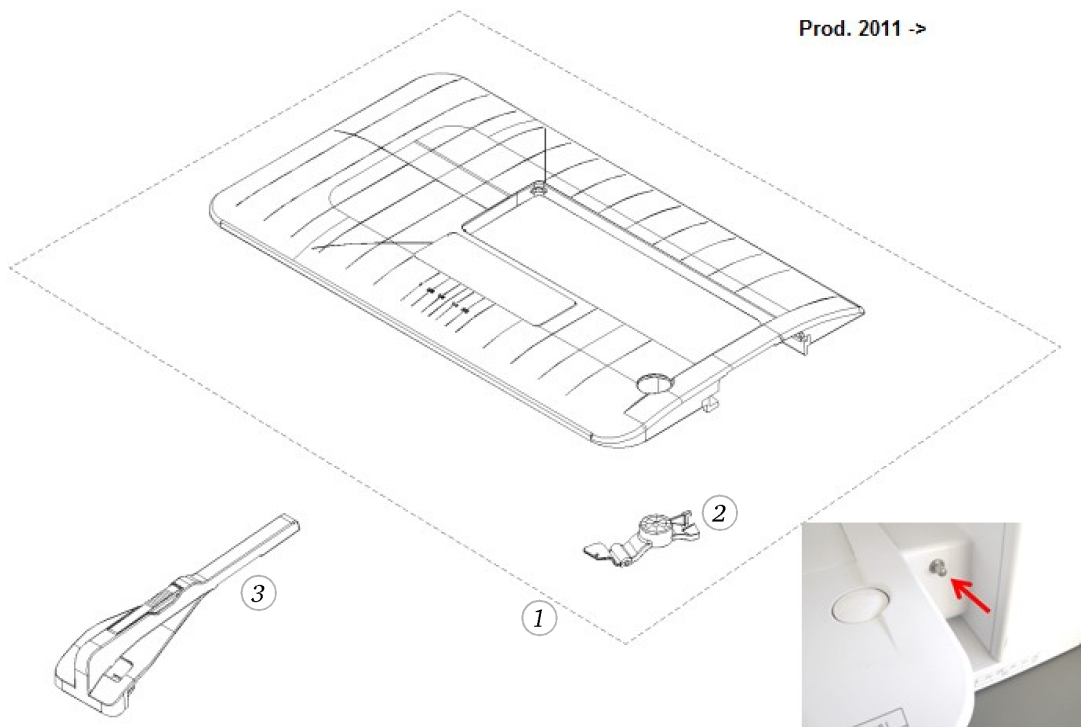
Prod. 2004 - 2011

Pos	Item number	Description
1	0310735201	SEWING TABLE TRANSPARENT
2	0307267001	SEAM GUIDE CPL OPTIMA

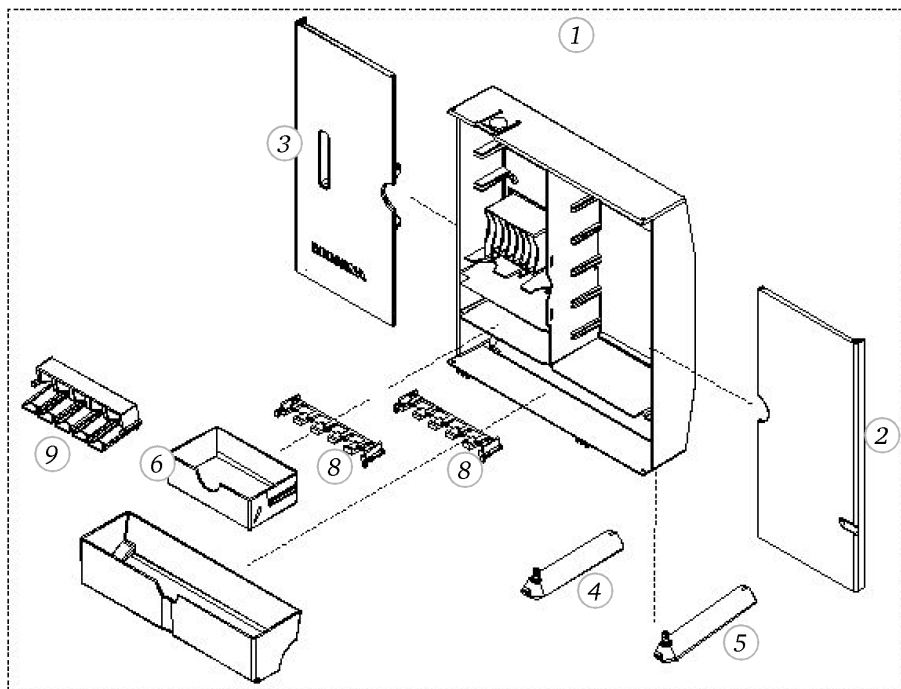


Prod. 2011 ->

Pos	Item number	Description
1	0331147100	SEWING TABLE CPL
2	0313345100	Pushbutton
3	0330467000	Seam Guide Cpl



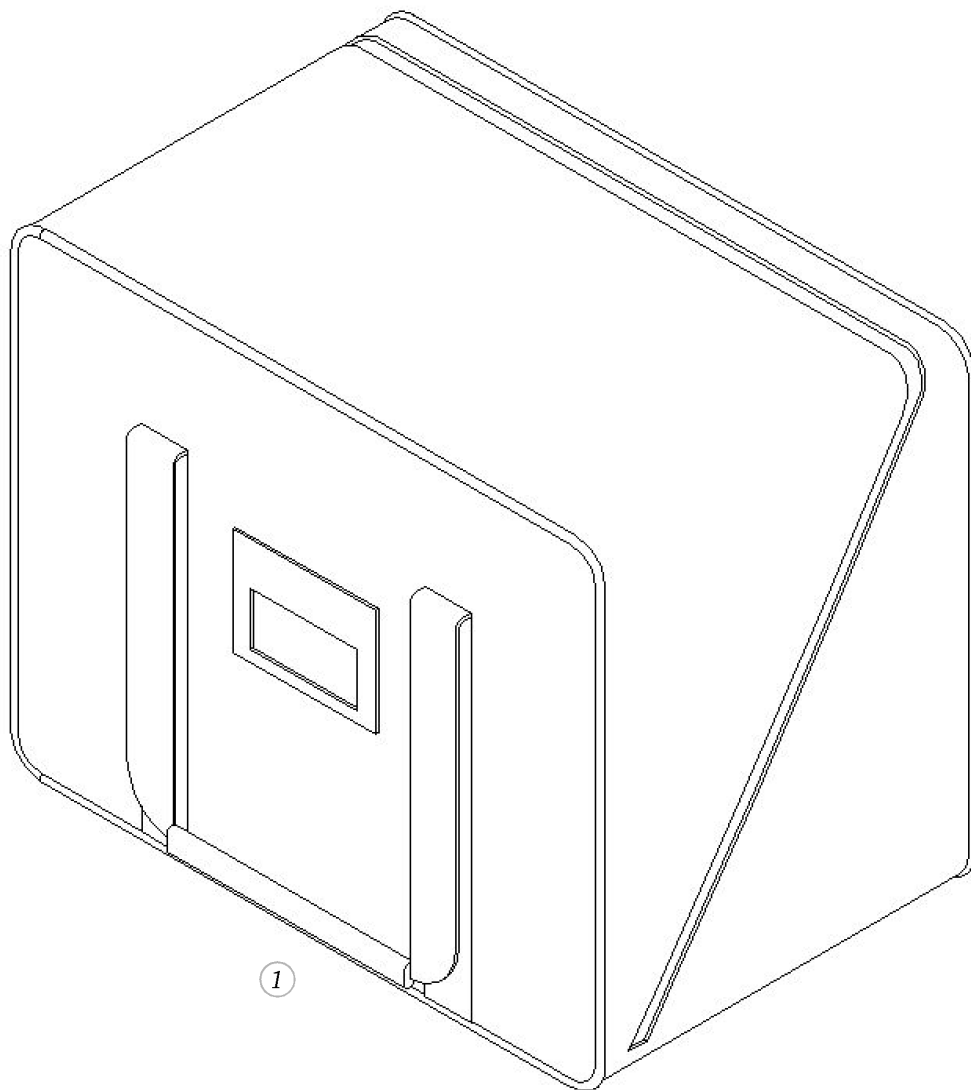




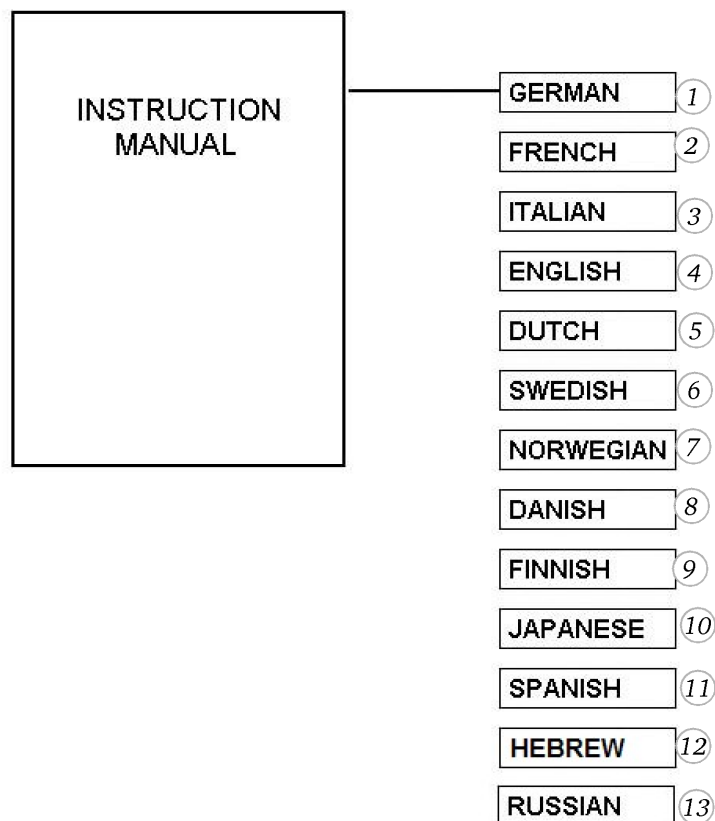
Pos	Item number	Description
1	0303967203	accessories box cpl. 5.5mm, door bulges, snapper
2	0303975100	DOOR RIGHT
3	0303985002	DOOR LEFT
4	0303997101	Swing Foot Cpl. left white
5	0303997103	Swing Foot Cpl. right white
6	0304005001	Drawer Small white
8	0304025000	Rack For Foot
9	0304035000	RACK FOR BOBBIN

**Soft cover**

Pos	Item number	Description
1	0310425001	BAG OPTIMA COLOUR DA



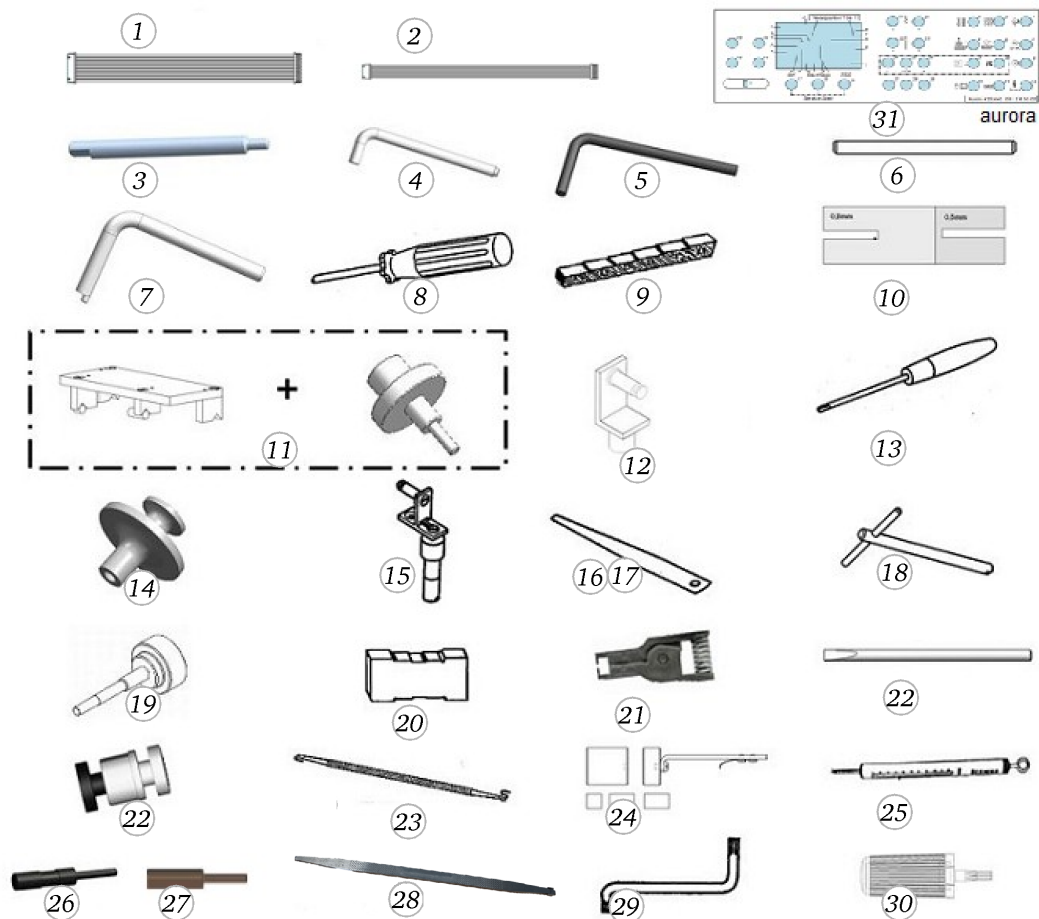
## BERNINA artista 630 / 635



## Instruction manual

Pos	Item number	Description
1	0311965001	MANUAL A630 DE
2	0311965002	MANUAL A630 FR
3	0311965003	MANUAL A630 IT
4	0311965004	MANUAL A630 EN
5	0311965005	MANUAL A630 NL
6	0311965006	MANUAL A630 SV
8	0311965008	MANUAL A630 DA
9	0311965009	MANUAL A630 FI
11	0311965011	MANUAL A630 ES

# BERNINA artista 630 / 635



# Gauges (aurora + arista 630-640)

Pos	Item number	Description
1	0311345001	CABLE CPL 30-POL L=500+/-5
2	0230545001	CABLE CPL 10-POL L=500 +/-5
3	0304305001	ADJUSTING PIN L=45
4	0013565000	SPEC. GAUGE
5	0027335000	Pin-tool
6	0079375000	ADJUSTING GAUGE
7	0315635000	EXCENTER ADJ.TOOL
8	0013617000	BUTTON-HOLE ECC. KEY
9	398031133+	Adjusting Tool Sewing Foot
10	398026131+	ADJUSTING T00LS
11	0320517000	SET GAUGE
12	0065437001	CORNER W.WEIGHT
13	398097030+	ADJUSTING KEY
14	0067657100	GAUGE CPL.
15	0013587000	WEIGHT
16	398022030+	0.3 MM FEELER GAUGE
17	398111030+	TRACE GAUGE 0.15 MM
18	0013577000	ADJUSTING TOOL CPL.
19	7327027000	CONICAL GAUGE
20	398024031+	FEED DOG HIGH GAUGE
21	0329485000	Extractor Eeprom
22	0319355000	Plug Tamping Tool
22	0319397000	BOBBIN WINDER DEVICE BERNINA
23	398112030+	Spring-hook
24	0087097200	SETTING WEIGHT-SET
25	0060385000	spring balance 100gr.
26	7341015000	GAUGE THREADER-HEAD
27	0308835000	GAUGE L = 26
28	398083030+	FITTING TOOL
29	0079935000	ADJUSTING KEY
30	0304755100	Screwdriver Torx T10
31	0312165000	SERVICEPANEL OM